



MDU Building Engineering and Design Standard - New Developments

Standards

Document number	NBN-TE-CTO-284
Document category	Standard
Author	Standards
Approver (owner)	Senior Manager - Standards
Status	Published
Issue date	19 SEP 23
Revision number	14.0



Disclaimer

This document is provided for information purposes only. This document is subject to the information classification set out on this page. If no information classification has been included, this document must be treated as 'nbn-Confidential: Commercial' and must not be disclosed other than with the consent of nbn co. The recipient (including third parties) must make and rely on their own inquiries as to the currency, accuracy and completeness of the information contained herein and must not use this document other than with the consent of nbn co.

Copyright © 2011 nbn co limited. All rights reserved.

Document control

Revision history

Date	Revision	Details
19 SEP 23	14.0	Refer to Changes in this revision, in revision 14.0, for details of changes between revision 13.0 and 14.0.
28 FEB 23	13.0	Refer to Changes in this revision, in revision 13.0, for details of changes between revision 12.0 and 13.0.
13 SEP 21	12.0	Refer to Changes in this revision, in revision 12.0, for details of changes between revision 11.0 and 12.0.
13 MAY 21	11.0	Refer to Changes in this revision, in revision 11.0, for details of changes between revision 10.0 and 11.0.
13 NOV 20	10.0	Refer to Changes in this revision, in revision 10.0, for details of changes between revision 9.0 and 10.0.
16 FEB 18	9.0	Refer to Changes in this revision, in revision 9.0, for details of changes between revision 8.0 and 9.0.
12 DEC 16	8.0	Refer to Revision history, in revision 8.0, for details of changes between revision 7.0 and 8.0.
-	7.0	Refer to Revision history, in revision 7.0, for details of changes between revision 6.0 and 7.0.
15 JUN 15	6.0	Refer to Revision history, in revision 6.0, for details of changes between revision 5.0 and 6.0.
21 MAR 13	5.0	Refer to Revision history, in revision 5.0, for details of changes between revision 4.0 and 5.0.



Date	Revision	Details
-	4.0	Refer to Revision history, in revision 4.0, for details of changes between revision 3.0 and 4.0.
-	3.0	Refer to Changes in this revision, in revision 3.0, for details of changes between revision 2.0 and 3.0.
20 JUL 12	2.0	Refer to Changes in this revision, in revision 2.0, for details of changes between revision 1.0 and 2.0.
04 APR 11	1.0	First release.



Contents

1 About this document	8
1.1 Purpose	8
1.2 Objective	8
1.3 Scope	8
1.3.1 In scope	8
1.3.2 Out of scope	8
1.3.3 Project specific requirements	9
1.4 Audience	9
1.5 Assumptions and constraints	9
1.6 Referenced documents	10
1.7 Changes in this revision	10
2 Before you start	12
2.1 Health, Safety and Environment (HSE)	12
2.2 Compliance with Australian Standards and Codes	12
3 Overview of nbn deployment areas	13
3.1 nbn deployment areas	13
3.2 Network Boundary Point (NBP)	14
4 Responsibilities	15
5 Lead-in requirements	16
6 Pathway and space requirements	17
6.1 Working height and space	17
6.2 Space in Comms room/riser	17
6.3 Pathway from BEP/Comms room to riser	19
6.4 Risers	19
6.5 Comms room to end user premises (EUP)	21
6.5.1 Option 1: Dedicated conduit	21
6.5.2 Option 2: Shared conduit	22
7 nbn™ passive fibre equipment requirements	23
7.1 Building Fibre Devices (BFDs)	23
7.1.1 Premises Connection Device (PCD)	23
7.1.2 BUDI-1S	24
7.1.3 BUDI-M	25



7.2	Internal passive equipment	26
7.3	External enclosures for BFDs	27
7.3.1	Enclosure purpose	28
7.3.2	Enclosure location	28
7.3.3	Enclosure dimensions and clearances	29
7.3.4	Enclosure conduits	29
7.3.5	Enclosure labelling	29
8	Utility clearances	30
8.1	Gas meter clearances	30
8.1.1	Enclosed Gas Meter	30
8.1.2	Unenclosed Gas Meter	31
8.2	Gas cylinder clearances	31
8.2.1	In-situ gas cylinders	31
8.2.2	Exchangeable gas cylinder	32
1.1.1.1	Electricity clearances	33
1.1.1.2	Water clearances	33
9	Network Termination Device (NTD) requirements	34
9.1	Specifications for indoor NTD (G-240G-P) and PSU	34
9.2	NTD enclosure	35
9.3	NTD installation locations	36
9.3.1	Height	37
9.3.2	Mounting locations	38
9.3.3	Centrally located NTDs	38
9.3.4	Confined area	39
9.4	NTD layouts	42
9.5	Ventilation requirements	44
10	Essential services	46
11	Fibre TV	47
12	Customer Cabling	48
13	Glossary	49

Figures

Figure 1. Area of nbn network covered by this document (unshaded)	8
--	----------



Figure 2. nbn network distribution within an MDU.....	13
Figure 3. Normal conduit dimensions.....	16
Figure 4. Generic landscape space - Comms room.....	17
Figure 5. Generic portrait space - Comms room.....	18
Figure 6. Example of typical Comms room showing mounted BUDI and SDTs.....	18
Figure 7. Example of typical Comms room to riser pathway.....	19
Figure 8. Generic riser footprint.....	20
Figure 9. nbn™ pathway using all nominal P20 conduit to feed typical apartment floor (example layout 1).....	21
Figure 10. nbn™ pathway using combination of P50 and nominal P20 conduit to feed typical apartment floor (example layout 2).....	22
Figure 11. PCD dimensions.....	23
Figure 12. BUDI-1S dimensions.....	24
Figure 13. BUDI-M - dimensions.....	25
Figure 14. 12 fibre and 24 fibre FDT Dimensions.....	26
Figure 15. 4 and 8 port internal SDT dimensions.....	26
Figure 16. Enclosure clearances.....	28
Figure 17. Gas meter clearances - enclosed.....	30
Figure 18. Gas meter clearances - unenclosed.....	31
Figure 19. In-situ gas cylinder showing removable yellow cap.....	31
Figure 20. Exchangeable gas cylinder showing green tap with ‘OPEN’ and ‘CLOSE’ markings....	32
Figure 21. Gas cylinder clearances – 360° view.....	32
Figure 22. Gas cylinder clearances – side view against a wall.....	33
Figure 23. nbn™ NTD.....	34
Figure 24. nbn™ NTD PSU and Connector.....	35
Figure 25. nbn™ Ethernet NTD Wall Mount bracket and NTD enclosure.....	35
Figure 26. Arm’s reach.....	37
Figure 27. Centrally located NTDs for commercial developments.....	39
Figure 28. Typical built out shelf.....	39
Figure 29. Built out shelf - landscape.....	40
Figure 30. Built out shelf - portrait.....	41
Figure 31. NTD typical side within open enclosure/robe.....	41
Figure 32. NTD and enclosure orientation.....	42
Figure 33. NTD enclosure layout landscape orientation.....	42



Figure 34. NTD enclosure layout portrait orientation43
Figure 35. Ventilation upper/lower areas45

Tables

Table 1. Responsibilities.....15
Table 2. Mounting locations38
Table 3. Ventilation requirements44
Table 4. Additional ventilation requirements.....45



1 About this document

1.1 Purpose

The purpose of this document is to specify **nbn**'s requirements for the provisioning of appropriate underground lead-ins, pathways and spaces within residential, commercial and retail new development Multi-Dwelling Units (MDUs) to support future connection to **nbn**TM FTTP services.

Note: Refer to unshaded area in Figure 1 below for the area covered by this document.

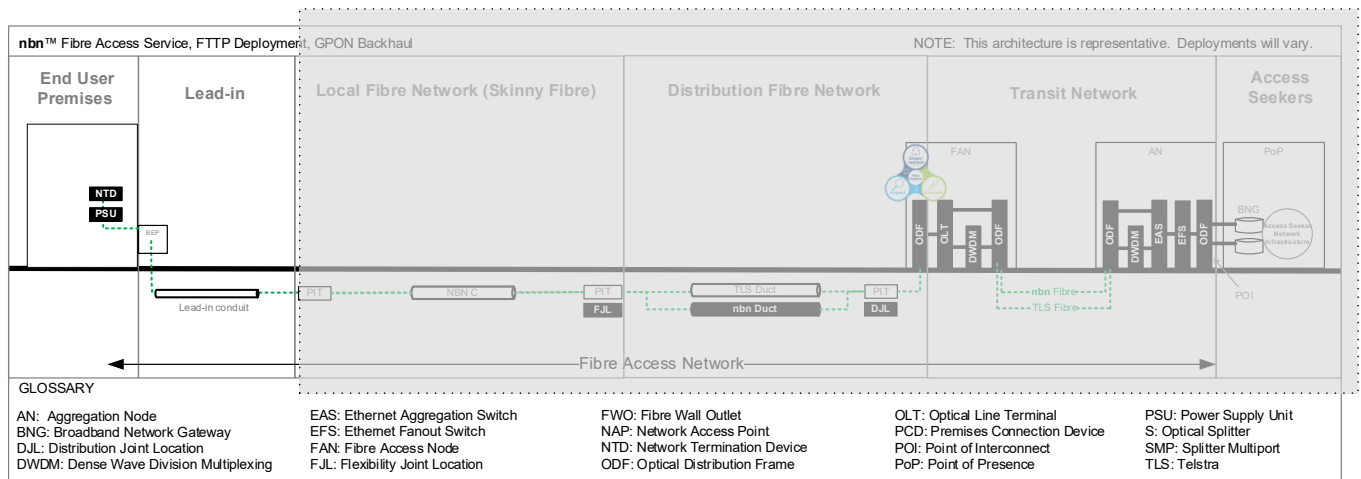


Figure 1. Area of nbn network covered by this document (unshaded)

1.2 Objective

The objective of this document is to ensure that developers, consultants, builders and electrical contractors involved in the development of MDUs, make the appropriate pathway and space provisions at design and build, for the installation of **nbn** network equipment (fibre, passive equipment etc) required to connect end user premises (EUPs) to the **nbn**TM network.

1.3 Scope

1.3.1 In scope

Requirements for all new residential, commercial and retail MDU new developments located within the **nbn** fixed line footprint that will connect to the **nbn**TM network.

1.3.2 Out of scope

The following are out of scope for this document:

- New developments within the satellite footprint
- New developments within the fixed wireless footprint
- Connection via Fibre to the basement (FTTB)
- Connection via Fibre to the node (FTTN)



- Connection via HFC
- Connection via copper backbone customer cable
- Small or Horizontal MDUs i.e. those requiring or are to be serviced by their own lead-in (refer to [10] NBN-DES-STD-0011)

1.3.3 Project specific requirements

The standards contained within this document make clear and transparent information available to parties involved in design and build of MDU property development projects that will connect to the **nbn**TM network.

nbn does recognise that bespoke design and build requirements may exist in some projects. In these cases, **nbn**'s dedicated Relationship Managers and Deployment Specialists will work with the developer and builder to ensure project requirements and needs are understood, and that the best possible outcomes can be achieved for the project in accordance with the appropriate standards and codes.

1.4 Audience

This document is intended for:

- new development site designer, developer, consultant, builders and electrical contractors
- **nbn** designers or planners
- **nbn** Delivery Partners
- **nbn** enAble training partners

1.5 Assumptions and constraints

It is important to comply with the requirements described in this document.

Failure to do so may result in delays in connecting the premises to the **nbn** or result in **nbn**'s inability to make a network connection to the new premises.

Developers, building owners and builders may face delays and additional costs (borne by the owner of the premises) until building preparations are brought into compliance with these requirements.



Note: This document replaces the 'Building Design Guide - New Developments' document referred in paragraph (b) of the definition of '**nbn** Specifications' in **nbn**'s Master Developer Agreement (MDA) as and from 19 SEP 23. This document should be used for the purposes of **nbn**'s Specifications in the MDA.



1.6 Referenced documents

Note: The table below only contains documents referenced within this document.

Document	Owner
[1] AS/CA S009 Installation requirements for customer cabling (Wiring rules)	Communications Alliance
[2] AS/NZS 1477 PVC pipes and fitting for pressure applications	Standards Australia
[3] AS/NZS 1596 The storage and handling of LP Gas	Standards Australia
[4] AS/NZS 3000 Electrical installations (known as the Australian/New Zealand Wiring Rules)	Standards Australia
[5] AS/NZS 3084 Telecommunications installations - Telecommunications pathways and spaces for commercial buildings	Standards Australia
[6] AS/NZS 4645.1 Gas distribution networks, Part 1: Network management	Standards Australia
[7] Building Code of Australia	www.abcb.gov.au
[8] F0133-9-495 nbn HSE Critical Risk Controls and Guidance	nbn
[9] NBN-COO-EDS-017 nbn New Development Pit and Pipe Design Guidelines.	nbn
[10] NBN-DES-STD-0011 Residential Preparation and Installation – Single Dwelling Units (SDUs) and Multi Dwelling Units (MDUs)	nbn
[11] NBN-TE-CTO-194 New developments: deployment of the nbn ™ pit and conduit network	nbn

1.7 Changes in this revision

Changes in this document revision 14.0 dated 19 SEP 23 compared to the previous revision 13.0 dated 28 FEB 23 are summarised below:

Item	Details
All	<ul style="list-style-type: none"> Transferred content to latest nbn template and improved formatting, layout and sequencing of information to align with [10] NBN-DES-STD-0011 . Improved the readability and size of the document – including a reduction in page count from 100 to 59 pages.



Item	Details
Project Specific Requirements	<ul style="list-style-type: none"> Added section 1.3.3 Project specific requirements, to communicate that we will work with Developers to understand their needs and that <i>'the best possible outcomes can be achieved for the project in accordance with the appropriate standards and codes.'</i>
Responsibilities	<ul style="list-style-type: none"> Added Table 1. Responsibilities, to indicate which party is responsible for which activities.
LIC requirements	<ul style="list-style-type: none"> Allow 2 x P50 conduits in place of 1x P100 conduit for >60 premises MDU
NTD height	<ul style="list-style-type: none"> Included accessibility information; relaxed restriction from 1.8m to 'within arm's reach' (which is considered up to 2.4m) and enabled device to be installed closer to the floor.
NTD ventilation	<ul style="list-style-type: none"> Simplified content.
NTD layouts/ spatial requirements	<ul style="list-style-type: none"> Reduced required footprint by 155mm W x 30mm H (landscape layout), and by 185mm H (portrait layout).
Outdoor NTDs (formerly deployed for Essential services support)	<ul style="list-style-type: none"> Removed section – no longer required.
Battery backup ((also formerly deployed for Essential services support))	<ul style="list-style-type: none"> Removed section – no longer required.
Essential services	<ul style="list-style-type: none"> Directed readers to discuss requirements with relevant service providers. Note: If nbn solution required, indoor NTD only.
Fibre Wall Outlet	<ul style="list-style-type: none"> Made provision for this within the design, to support future use cases (e.g. self-install or swap-out of NTD when XGS-PON devices are in market), while still reducing the overall spatial requirement.
Comms room space requirements	<ul style="list-style-type: none"> simplified the content and reduced the overall footprint (with essential services no longer included).
Engineering content	<ul style="list-style-type: none"> Removed nbn engineering content which did not add value to audience (developers/consultations/builders).
ADT drafting tool	<ul style="list-style-type: none"> Removed content related to ADT drafting tool.



2 Before you start

2.1 Health, Safety and Environment (HSE)



Note: The information below is for internal **nbn** employees and Delivery Partners. It is expected that Developers, Builders and anyone else following the requirements in this document will comply with relevant HSE legislation, and their own HSE processes.

nbn takes health, safety and environment management very seriously, and expects the same with all internal employees and our Delivery Partners. Whilst undertaking the activity associated with this document, all workers (both **nbn** employees and delivery partner's employees) must comply with relevant HSE legislation, their own HSE processes, contractual HSE obligations and **nbn**'s HSE Critical Risk Controls.

The Critical Risk Controls (CRC) set out **nbn**'s minimum expectations for carrying out work where there is a risk of exposure to one or more HSE critical risks. The mandatory requirements specified in the **nbn**TM HSE Critical Risk Controls are in addition to other requirements under legislation and do not replace or limit any **nbn** or Delivery Partner obligation to manage HSE risks. It is also important to note that the Critical Risk Controls are not exhaustive of all controls required to manage HSE risks.

The information within this document has been prepared with an understanding that HSE risks may be evident and will require assessment with due consideration to CRC requirements by **nbn** or the Delivery Partner participating in any activity prescribed within the document and controls are documented in relevant safe work systems (e.g. SWMS, Procedure etc.) and adhered to.

2.2 Compliance with Australian Standards and Codes

All design and build works undertaken in respect of the new development MDU should be done in accordance with this document and the following standards:

1. **Space requirements** must be applied in accordance with [5] AS/NZS 3084 Telecommunications installations - Telecommunications pathways and spaces for commercial buildings.
2. **Customer cabling** must be applied in accordance with [1] AS/CA S009 Installation requirements for customer cabling (Wiring rules)
3. **Power** must be applied in accordance with [4] AS/NZS 3000 Electrical installations (known as the Australian/New Zealand Wiring Rules).
4. **Fire sealing** must be applied in accordance with the National Construction Code of Australia (NCC), relevant Australian Standards and State specific legislation.

3 Overview of nbn deployment areas

3.1 nbn deployment areas

MDUs can be broken down into four main areas for **nbn** deployment:

1. **Lead-in and Building Entry Point (BEP)** - allows the **nbn** outside plant cables to enter and be terminated at the Building fibre device either located near the BEP or within a Telecommunications (Comms) room.
2. **Backbone distribution** – allows **nbn** fibres to provide connectivity via risers to the horizontal distribution.
3. **Horizontal Distribution** - runs with the hallways and drops a single connection to each end user premises.
4. **End User Premises** – individual premises in the building to which **nbn** services are provided.

Refer to circled areas in Figure 2 below.

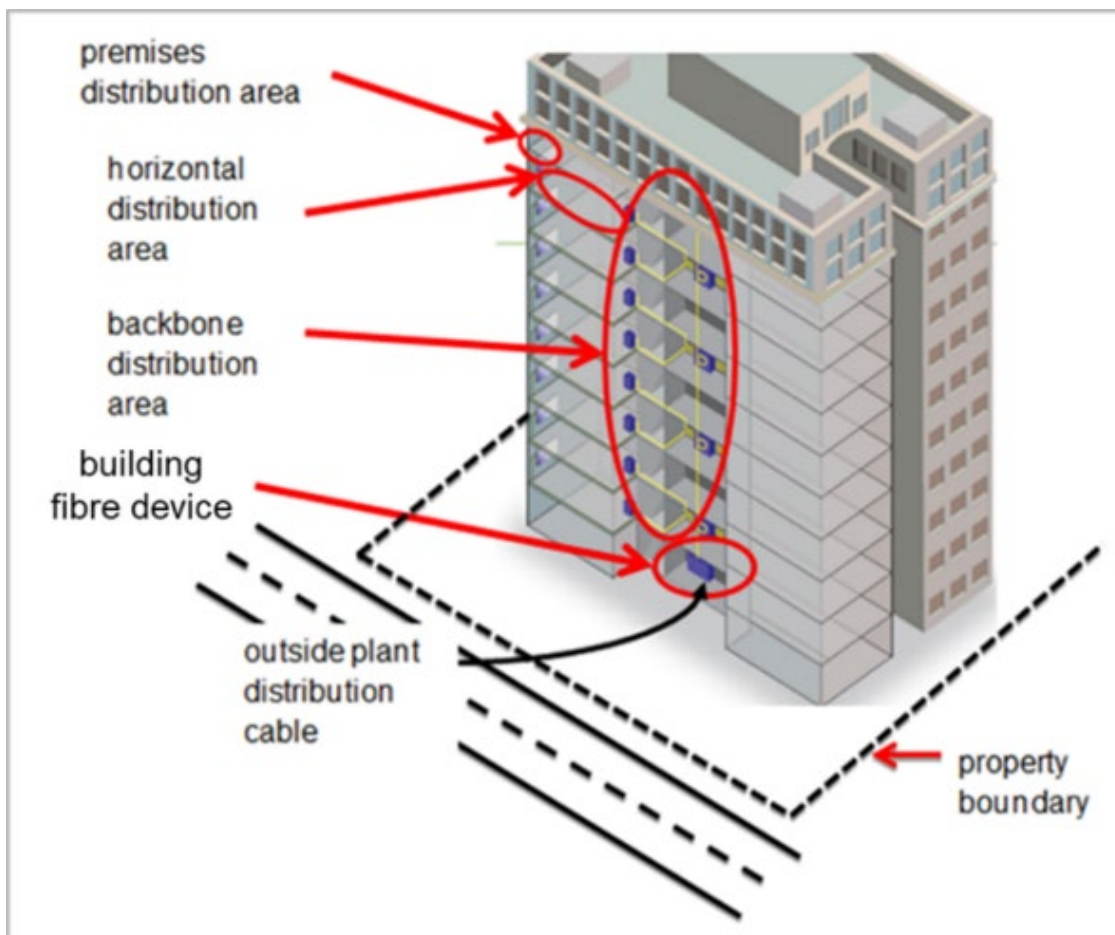


Figure 2. nbn network distribution within an MDU



nbn uses these areas within the MDU to apply nbn’s type3 Architecture as per Figure 3 below,

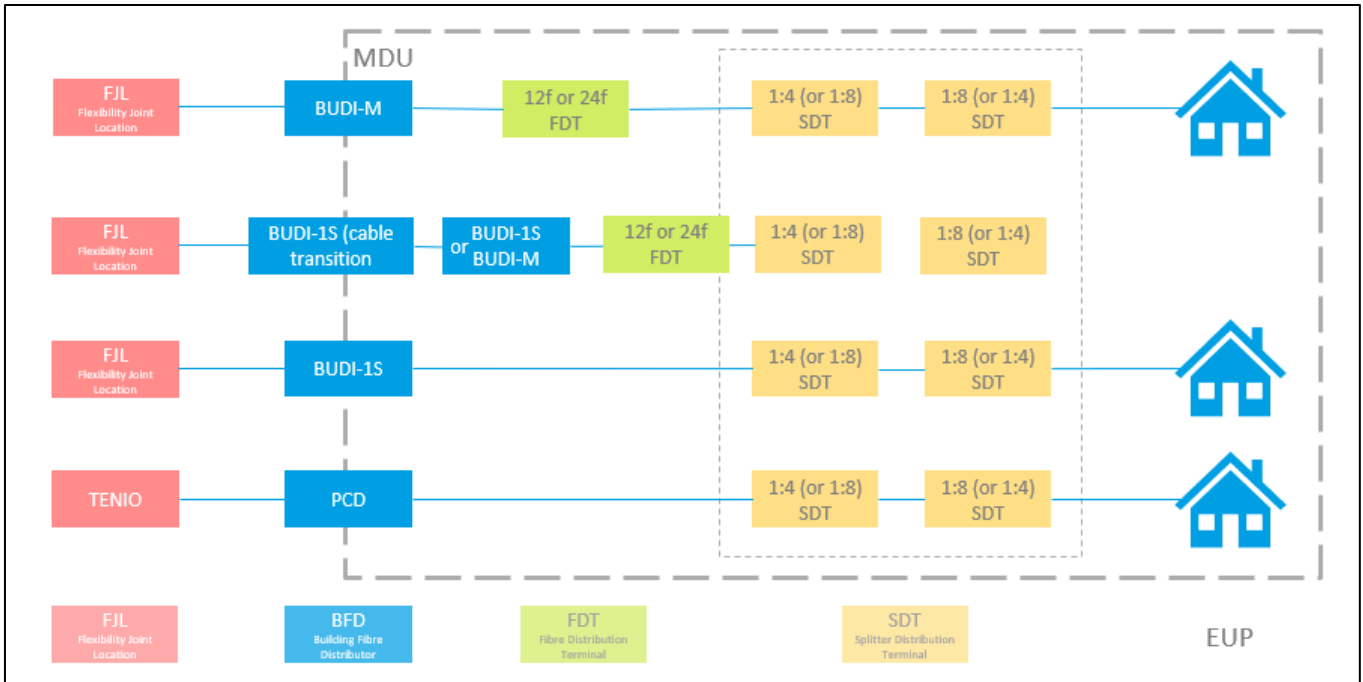


Figure 3. FTTP Type 3 architecture overview

3.2 Network Boundary Point (NBP)

The point which is deemed to be the boundary of a Carrier’s Telecommunications Network for determining whether cabling or equipment is customer cabling or customer Equipment for the purpose of technical regulation under Part 21 of the Telecommunications Act 1997 (the Act).

‘The nbn NBP shall be:

- FTTP: the service output ports on the nbn™ NTD (i.e. the data [UNI-D] and phone [UNI-V] service sockets at the rear of the nbn™ NTD) (in accordance with AS/ACIF S009:2013 Installation requirements for customer cabling (Wiring rules) the nbn™ NTD is labelled as an NTD).’



4 Responsibilities

Table 1 contains a simple matrix view of responsibilities split up by party (e.g. responsibility of **nbn**, responsibilities of builder/developer). The table is also organised in a sequential format based on the order each activity would generally occur.

Table 1. Responsibilities

Item	Description	Area	Developer/ builder	nbn
1	Network connectivity.	nbn TM Fibre Network		✓
2	Provision of Lead-in conduit to Building.	Building Entry Point	✓	
3	Allocation of space within the designated Comms room or area dedicated for telecommunications services.	Equipment Room	✓	
4	Pathways to Comms room or area dedicated for telecommunications services.	Pathways	✓	
5	Pathways throughout of the building risers.	Pathways	✓	
6	Individual pathways to end user premises.	Pathways	✓	
7	Fire sealing and certification of pathways.	Pathways	✓	
8	Allocation of space for nbn equipment at the end user premises.	End user premises	✓	
9	Provision of General power outlet at end user premises.	End user premises	✓	
10	Installation of fibre cables and connection to the nbn TM fibre network.	Fibre Network		✓
11	Installation of nbn TM NTD (and other nbn equipment as required).	End user premises		✓
12	Test and commission of nbn TM Fibre to each end user premises.	nbn TM Fibre Network		✓
13	Customer cabling past nbn TM Network Boundary Point.	End user premises	✓	

5 Lead-in requirements

Lead-in conduit (LIC) requirements vary depending on the size and type of the development. The sizes below allow for possible future building requirements:

- a. **SDU like MDU premises:** Require a min P20 to each premises with a minimum wall thickness of 1.7mm (**Note:** SDU like MDU premises, where each premises is individually fed by a LIC, are out of scope for this document. For these types of MDUs, refer to [10] NBN-DES-STD-0011).
- b. **2 to 60 premises:** Require 1 x white P50 PVC conduit, with a minimum wall thickness of 3.65mm.
- c. **Greater than 60 premises:** Require a minimum of:
 - i. 1 x white P100 telecommunications conduit with a minimum wall thickness of 4.5mm
 - ii. or 2 x white P50s PVC conduit, with a minimum wall thickness of 3.65mm (minimum 100mm capacity is required).

All conduits must meet the requirements of [2] AS/NZS 1477 PVC pipes and fitting for pressure applications and normal conduit dimensions, as shown in Figure 3.

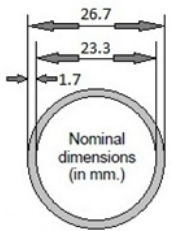
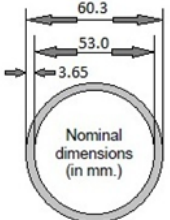
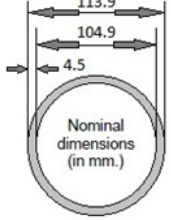
Conduit Dimensions	Nominal Size (Inside Diameter)	Conduit Dimensions	Nominal Size (Inside Diameter)	Conduit Dimensions	Nominal Size (Inside Diameter)
	<p>20 mm PN 12 AS/NZS 1477:2006 table 4.2(A)</p>		<p>50 mm PN 12 AS/NZS 477:2006 table 4.2(A)</p>		<p>100 mm PN 9 AS/NZS 1477:2006 table 4.2(A)</p>

Figure 3. Normal conduit dimensions

Communication pathways must be provided for **nbn**'s lead-in cable(s) from the BEP to the first termination point situated in either the Comms room or a riser.

The pathway must be an accessible cable tray or single P50 conduit with drawstring.

No fibre is to be self-supported over a distance greater than 200mm.



All conduits must contain a drawstring.

6 Pathway and space requirements

6.1 Working height and space

Sufficient space is to be allocated for **nbn** fibre equipment to be installed within a Comms rooms or riser.

All **nbn** passive fibre equipment must be mounted at a comfortable working height and have sufficient access space around them for initial installation, ongoing maintenance, configuration modifications, and troubleshooting.

6.2 Space in Comms room/riser

nbn needs a minimum 1m x 1m allocated space within the main Comms room or first riser acting as a termination point for **nbn** fibre equipment and lead-in cable. The **nbn** fibre equipment is wall mounted and needs clear access initial installation, ongoing maintenance, configuration modifications, and troubleshooting.

The footprint must be between 400mm and 1800mm from finished floor level (FFL) and have clear front access of 1000mm directly in front.

The space requirement is an allocation of space for **nbn** passive equipment only and does not include any end user Network Termination Devices (NTDs) within the footprint detailed.

The 1m x 1m footprint allows for flexibility within the design when the design and device selection has not been confirmed.

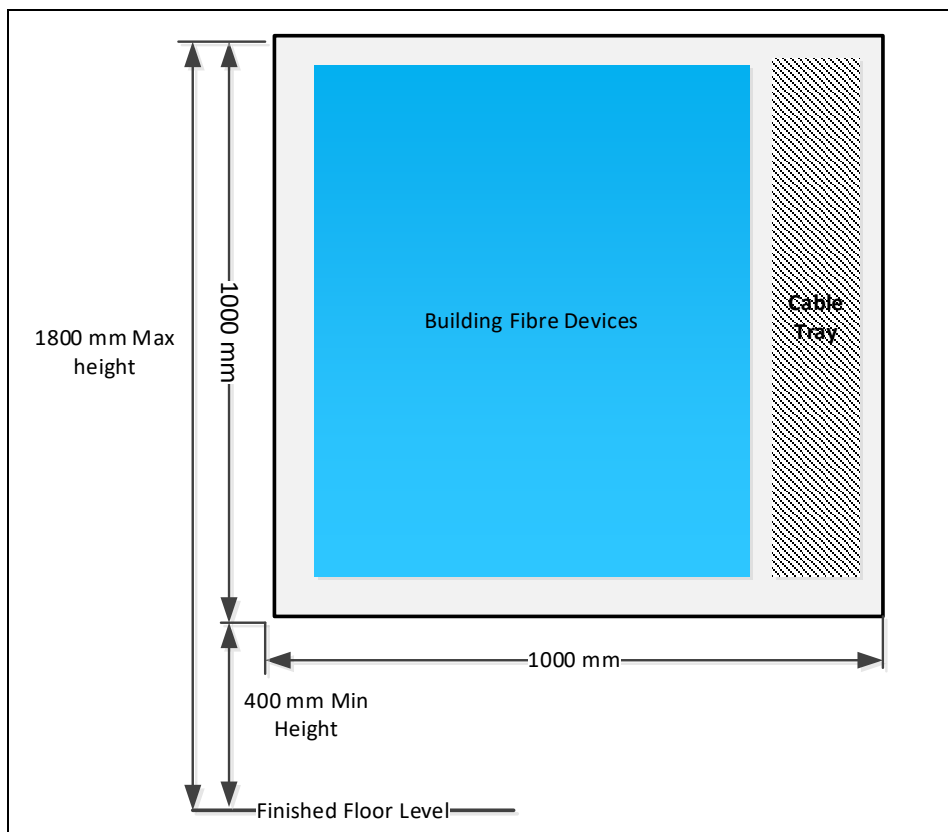


Figure 4. Generic landscape space - Comms room

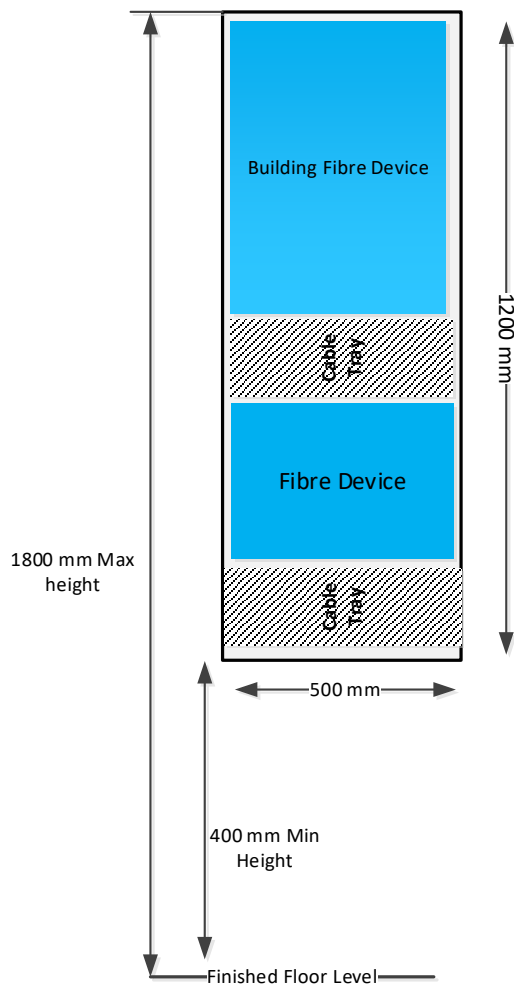


Figure 5. Generic portrait space - Comms room



Figure 6. Example of typical Comms room showing mounted BUDI and SDTs

6.3 Pathway from BEP/Comms room to riser

Communication pathways must be provided for **nbn's** lead-in cable(s) from the BEP to the first termination point situated with either a Comms room or riser.

The pathway must be an accessible cable tray or a P50 conduit with drawstring if within a ceiling space, with access panels every 15m and at change of direction.

No fibre is to be self-supported over a distance greater than 200mm.

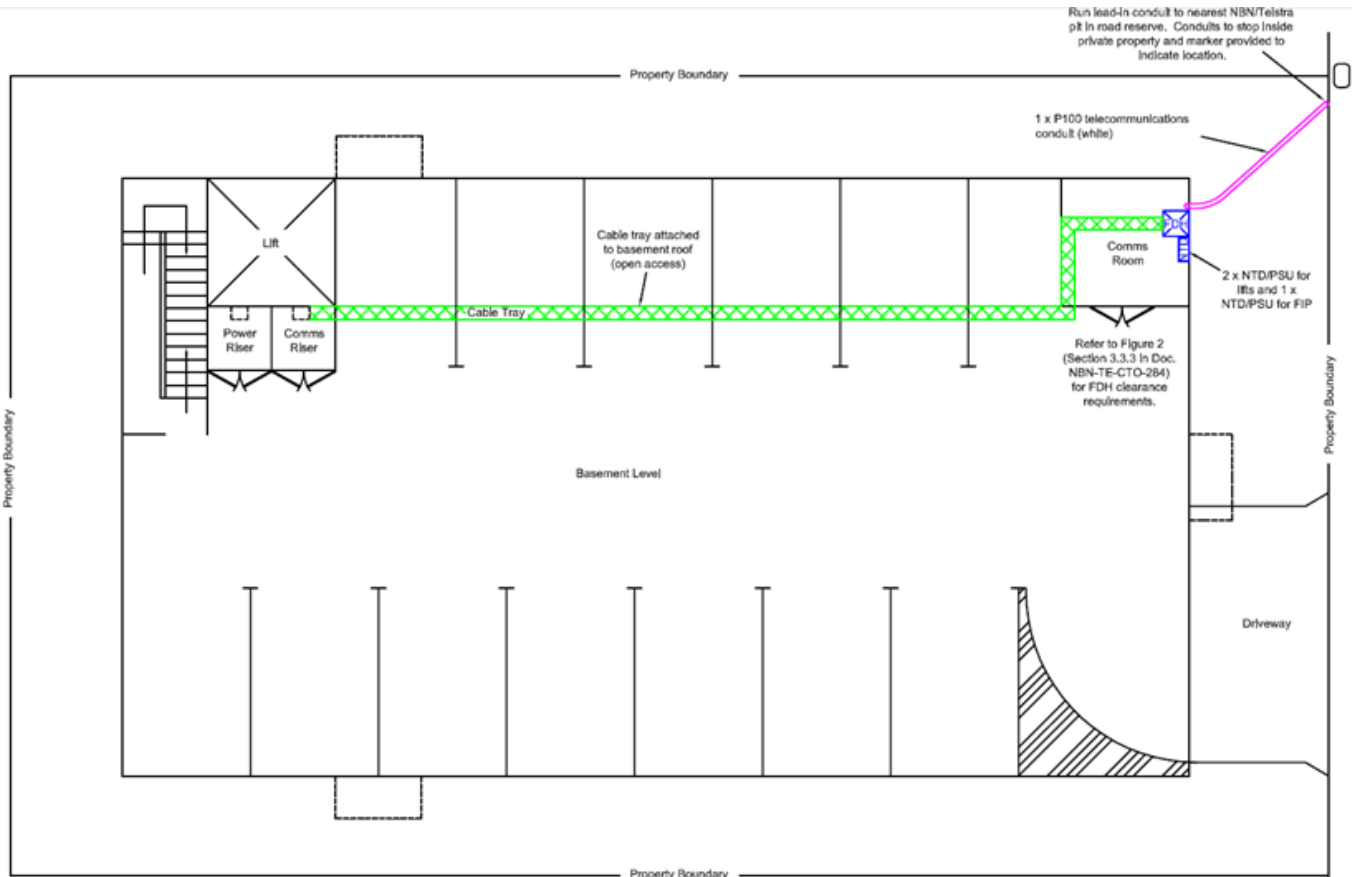


Figure 7. Example of typical Comms room to riser pathway

6.4 Risers

Risers are used for **nbn's** backbone cabling and for housing passive fibre devices. The main products commonly mounted in a riser are Fibre Distribution Terminals (FDTs) and Splitter Distribution Terminals (SDTs).

500mm x 500mm is the minimum footprint allocation within a riser or telecoms cupboard per floor room.

The footprint must be between 400mm and 1800mm from finished floor level and have clear front access of 1000mm directly in front footprint.

The space requirement is an allocation of space for **nbn** passive devices only and does not include any End-user NTDs within the footprint detailed.

The 500mm X 500mm footprint allows flexibility within the design when the design and device selection has not been confirmed.

Cable trays can run adjacent to **nbn**TM passive fibre equipment.

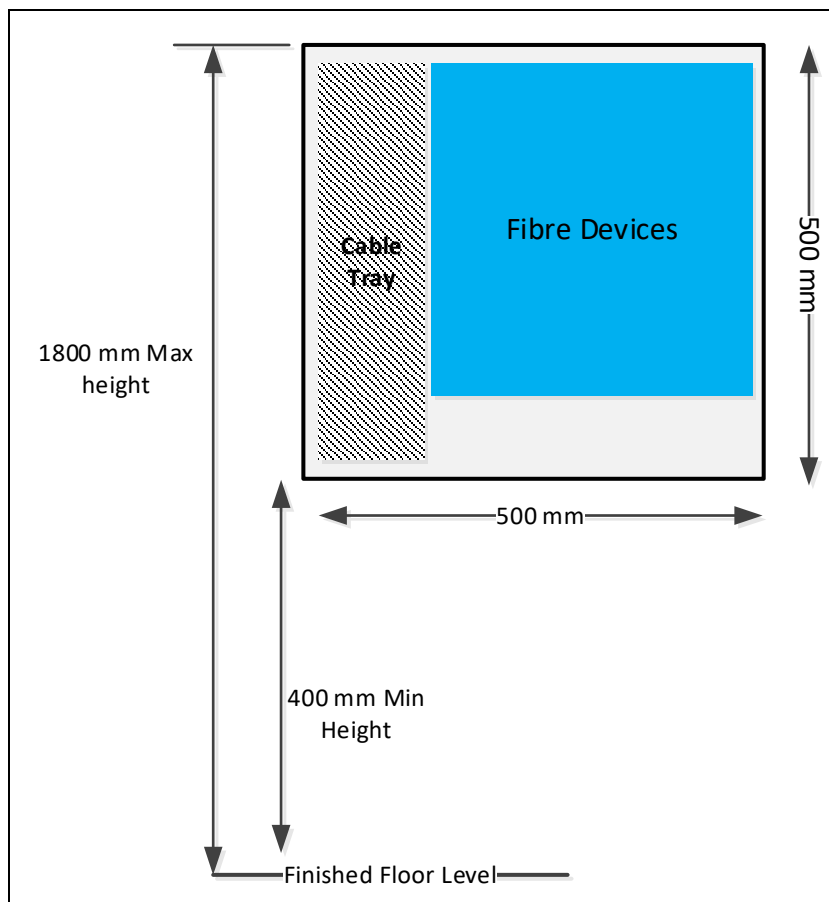


Figure 8. Generic riser footprint

6.5 Comms room to end user premises (EUP)

Communications pathways to end user premises (EUP) must be provided using one of the options below:

6.5.1 Option 1: Dedicated conduit

Cabling from the EUP to the Comms room or riser requires a minimum of a nominal P20 rigid white communication conduit.

Conduits must be draw stringed, from the Comms room or riser to each NTD location within an EUP (P50 ridged conduits can be utilised). No section of conduit must be longer than 50m between pull/draw points and contain the equivalent of no more than 3 x 90° 300mm radius bends. Conduits can be surface mounted in common areas or cast 'in slab'.



All conduits and drawstrings must be labelled to reference the respective apartment/unit number.

A single 100mm radius bend may be used to replace a 300mm radius bend at the final transition from horizontal to vertical, with the agreement of the relevant **nbn** representative.

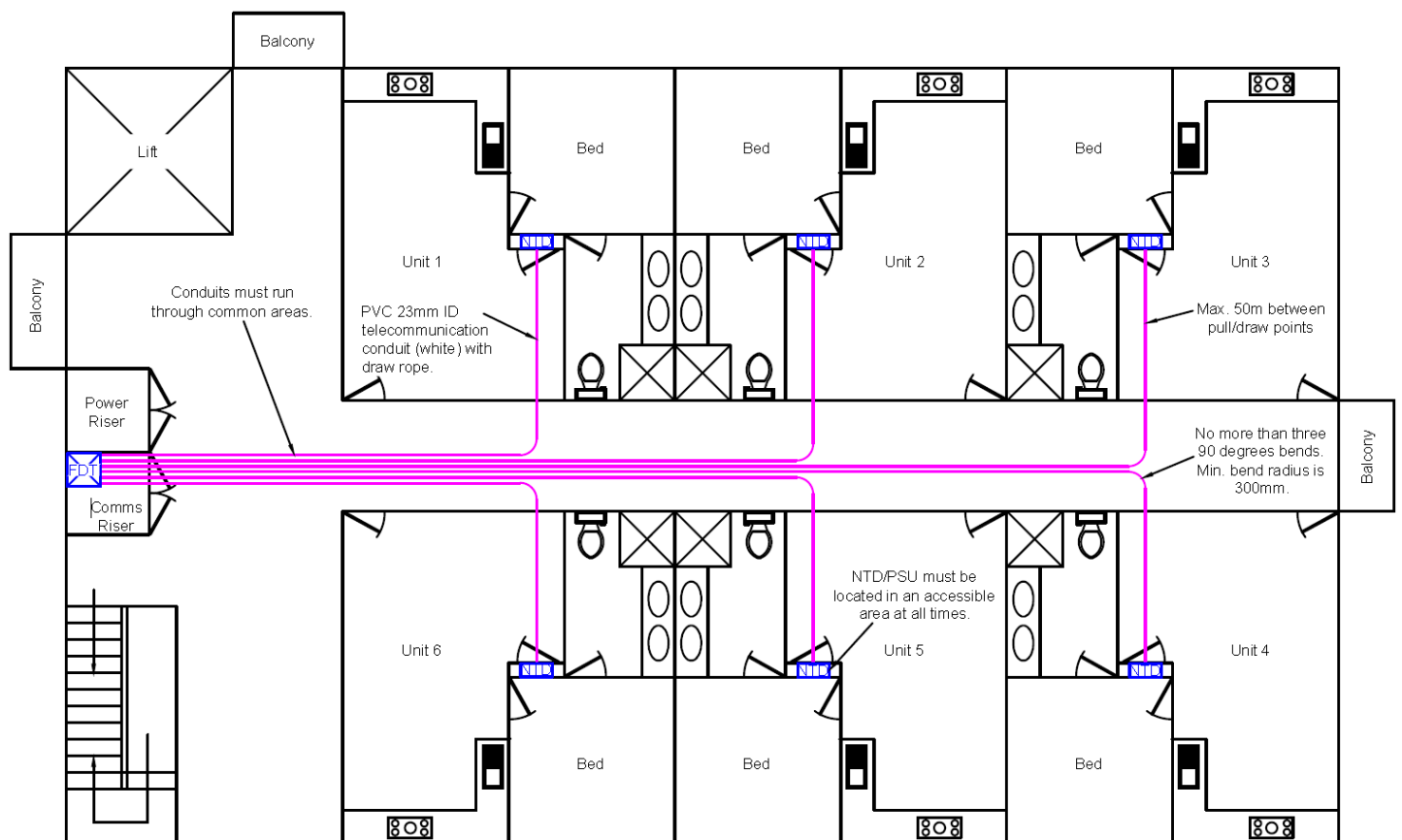


Figure 9. nbn™ pathway using all nominal P20 conduit to feed typical apartment floor (example layout 1)

6.5.2 Option 2: Shared conduit

Where a combination of shared P50 truncation and dedicated conduits is used for cabling from the Comms room or riser to the EUP, access panels must be provided in accordance with the following requirements:

- at any cable conduit transition point
- 2 x P50
- a minimum of 450 x 450mm
- cable tray 150mm x 150mm or other suitable anchor to act as fixing point for cables at cable transition locations
- adjacent and within arm's reach of any transition and hauling points and placed where possible to avoid being placed at heights that required specialist equipment to access such as scissor platforms and boom lifts

There must be a minimum of 100mm separation from the **nbn™** network infrastructure and other utilities cables/ infrastructure.

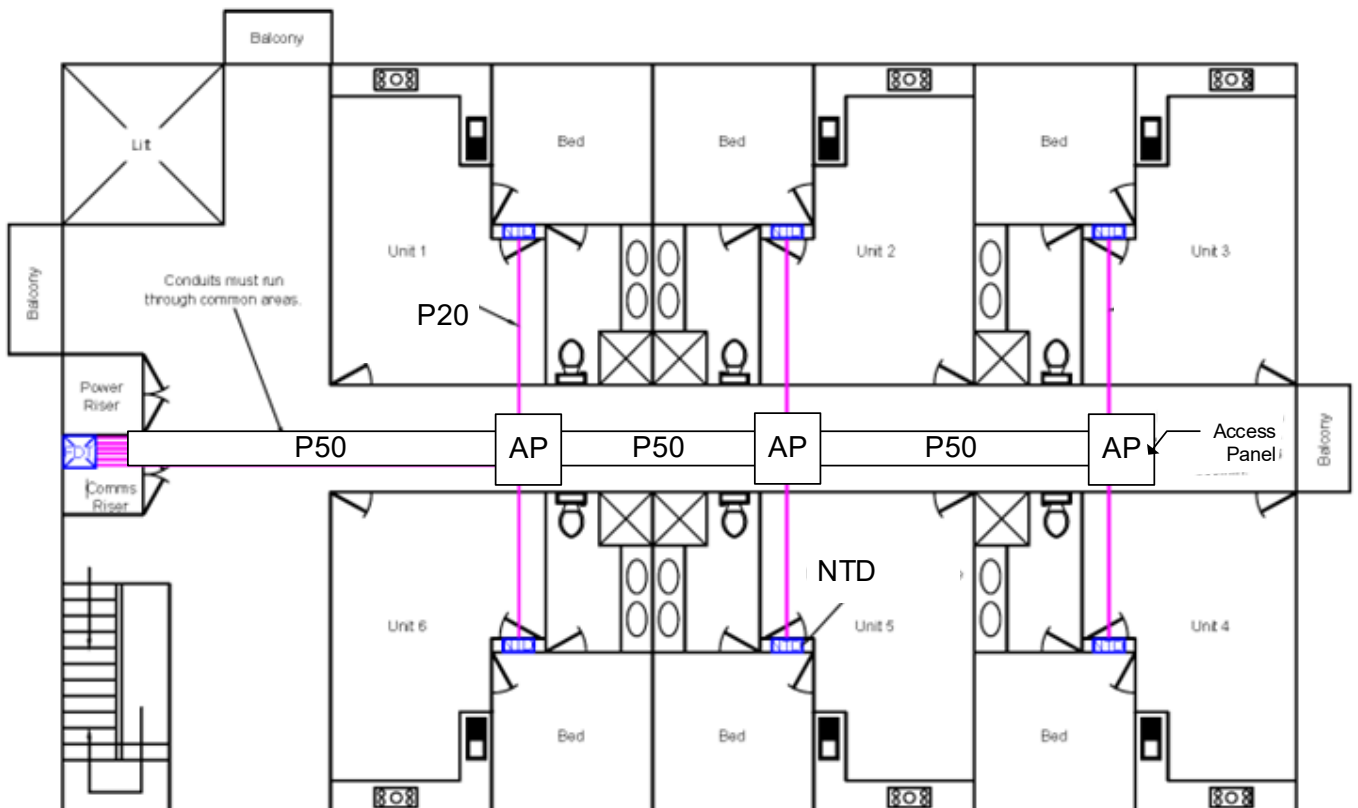


Figure 10. nbn™ pathway using combination of P50 and nominal P20 conduit to feed typical apartment floor (example layout 2)

7 nbn™ passive fibre equipment requirements



This section provides an overview of the **nbn** passive fibre equipment to be installed to provide a better understanding of **nbn's** space requirements.

7.1 Building Fibre Devices (BFDs)

Building Fibre Devices (BFDs) are used to connect external fibres to the internal fibre cabling and devices. There are two types, Premises Connection Device (PCD) or BUDI, with the BUDI having two variants: BUDI-1S or BUDI-M.

7.1.1 Premises Connection Device (PCD)

The PCD is used as a BFD for up to 32 EUPs.

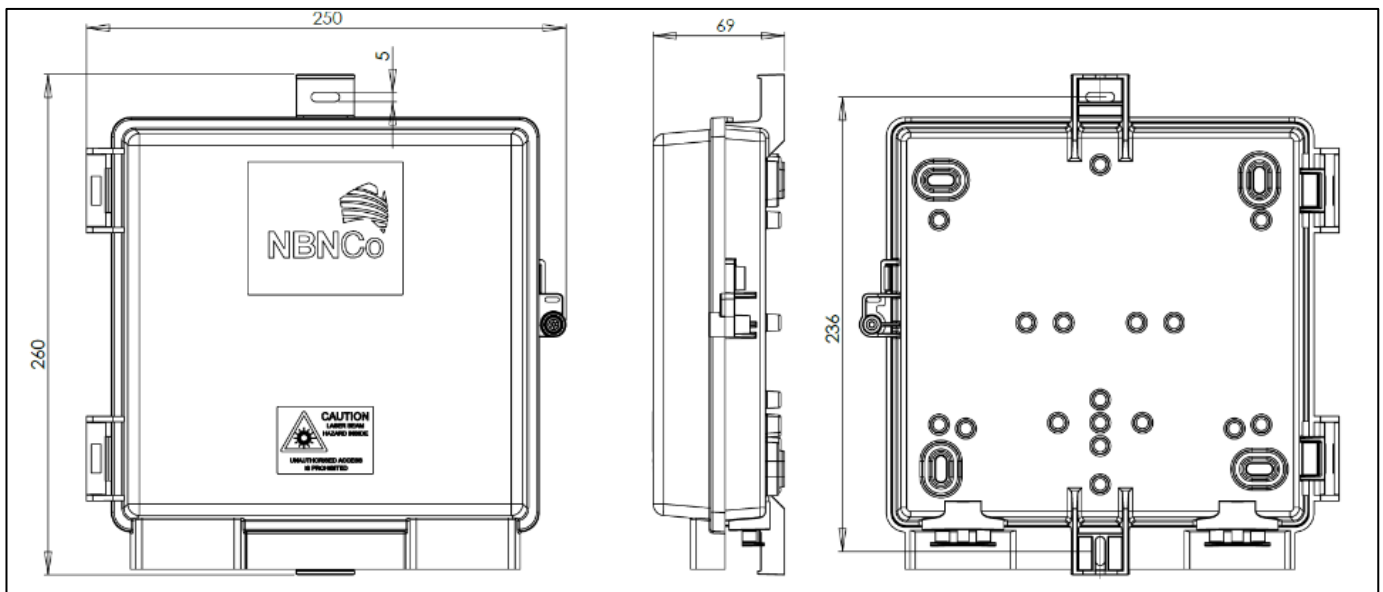


Figure 11. PCD dimensions

7.1.2 BUDI-1S

The BUDI-1S, is a medium sized BFD, that can be used for managing 12 fibre cables. It is used for medium to large MDU developments typically between 10 – 280 EUPs.

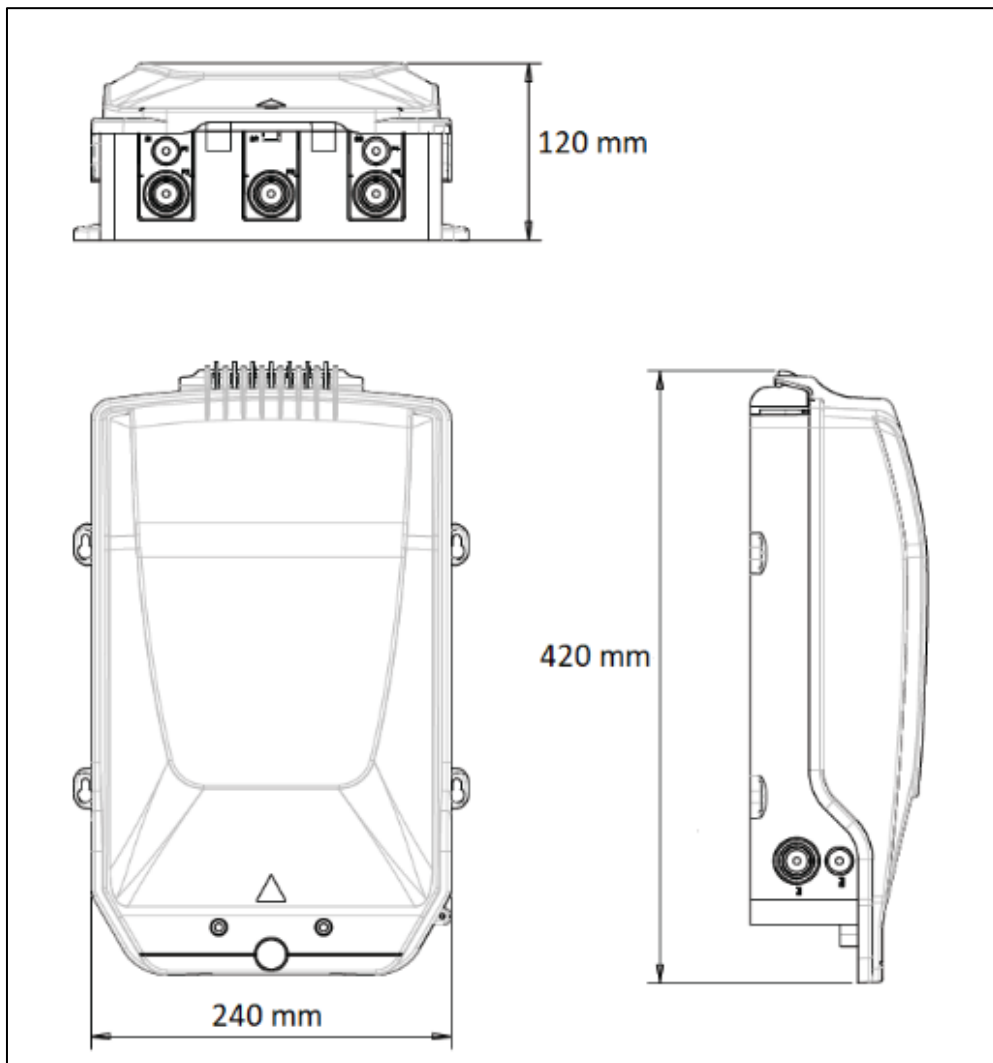


Figure 12. BUDI-1S dimensions

The BUDI-1S must be placed in secure and lockable rooms or risers such as a Main Distribution Frame (MDF) or Comms room. It can be placed externally within an enclosure for small to medium MDUs when required.

7.1.3 BUDI-M

The BUDI-M is a large BFD, used on buildings that have a fibre demand greater than 10 fibres.

It has the largest capacity of the BFDs and is used for large MDUs and when the building or development has a Fibre TV build requirement or the design needs to aggregate fibres via a Fibre Distribution Terminal (FDT).

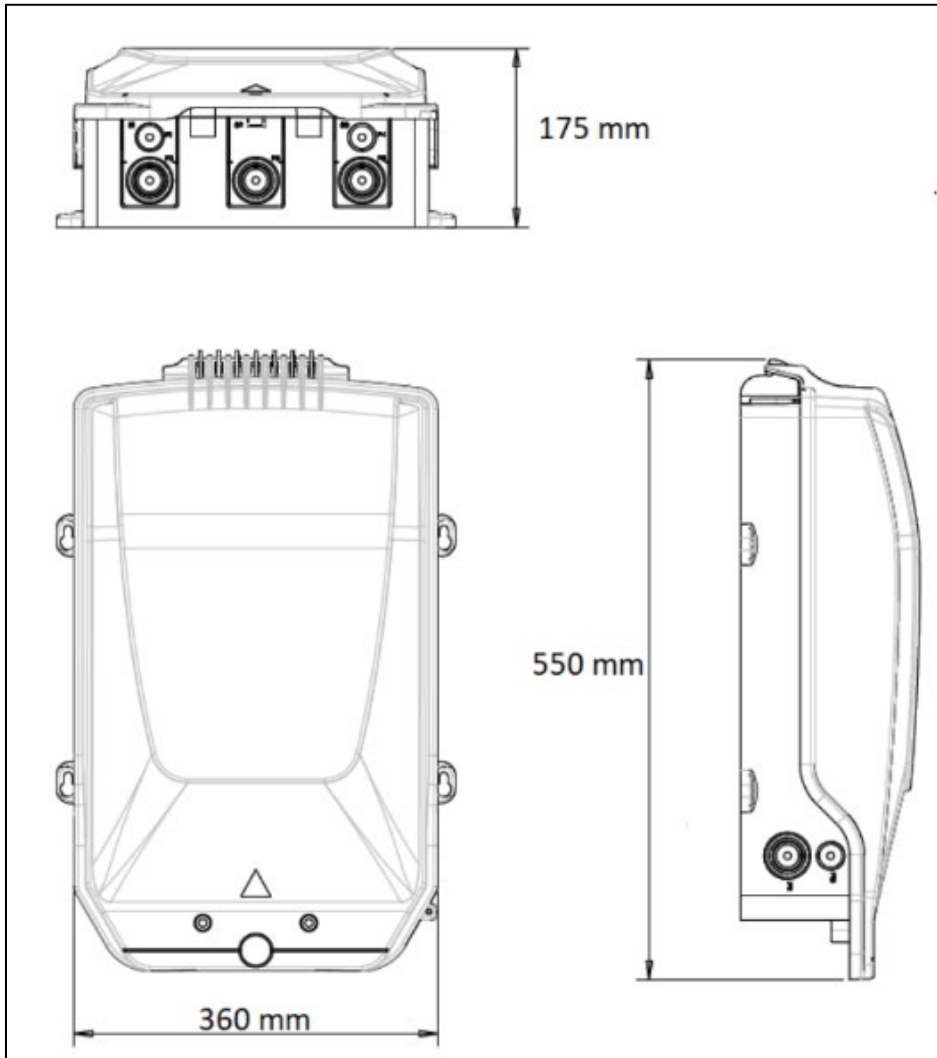


Figure 13. BUDI-M - dimensions

BUDI-M must be placed within secure and lockable rooms or risers such as an MDF or Comms room. It can be placed externally within an enclosure for small to medium MDUs without a Comms room.

7.2 Internal passive equipment

Splitter Distribution Terminals (SDTs) and FDTs are connected to the BFD and provide the internal **nbn** backbone distribution.

FDTs are internally rated and must be housed internally Comms rooms or risers that provide a pathway to EUPs.

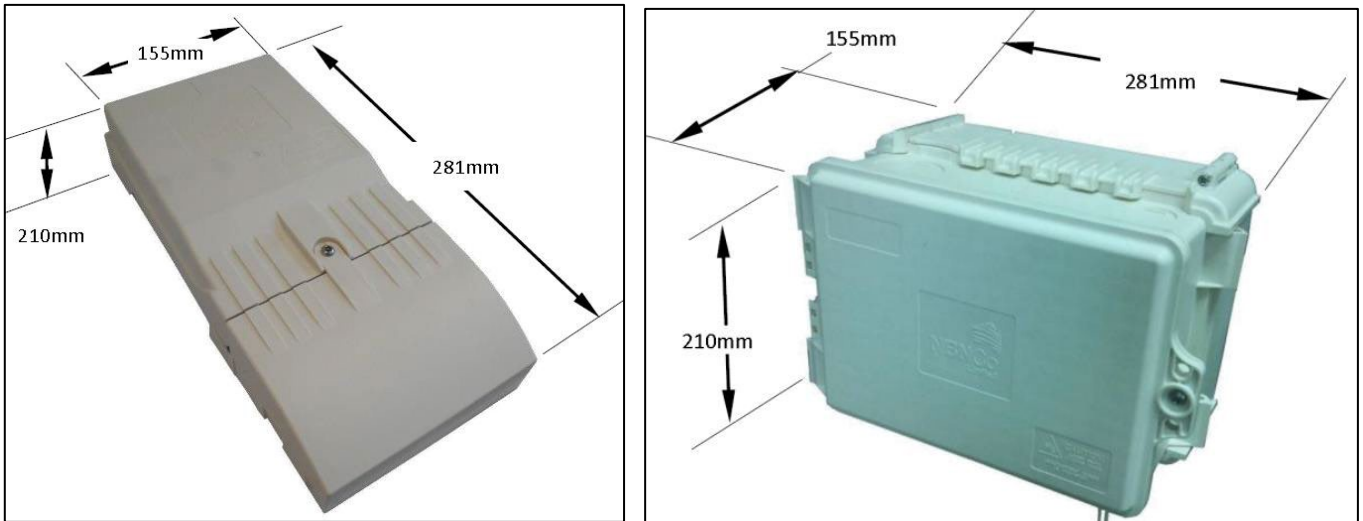


Figure 14. 12 fibre and 24 fibre FDT Dimensions

The FDTs and SDTs must be placed in secure and lockable Comms rooms or risers and are used to minimise Premises Internal Cable (PIC) and SDT cable installation lengths with distribution throughout the risers.

SDTs are normally placed within risers with access to conduits to EUPs.

SDTs and FDTs provide connection to **nbn**'s hallway cabling and the single fibres to each EUP.

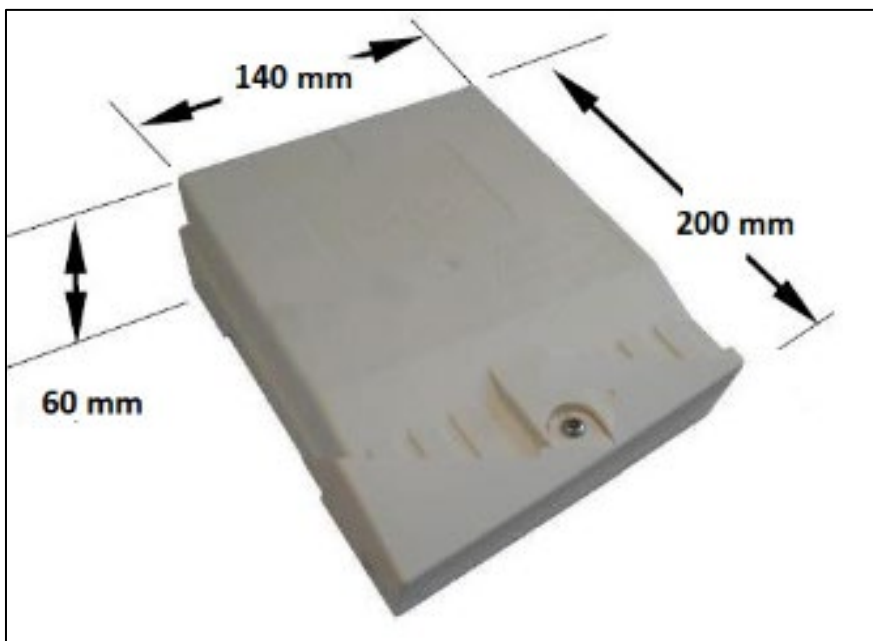


Figure 15. 4 and 8 port internal SDT dimensions

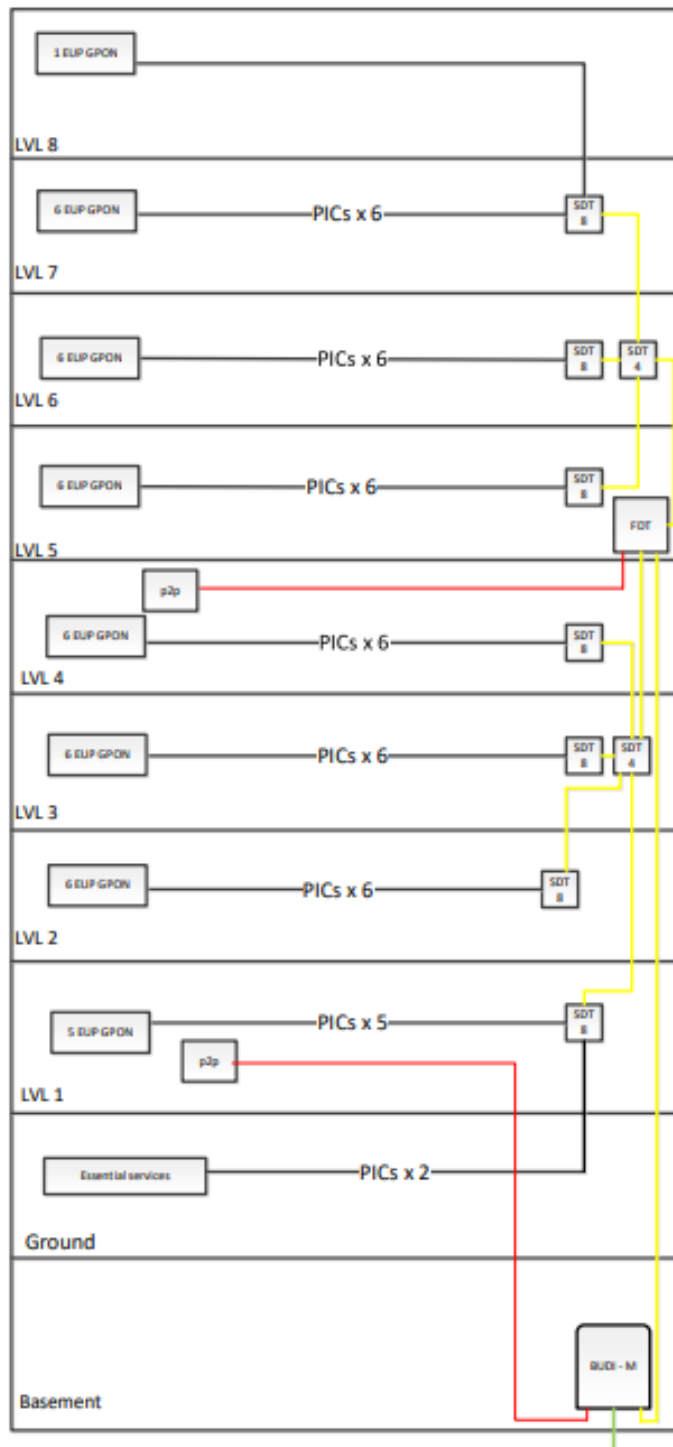


Figure 15. Example of FDTs and SDTs located in a vertical MDU

7.3 External enclosures for BFDs

nbn prefers that equipment is installed internally in a Comms room or riser but recognises that this is not possible in all instances particularly in small MDUs where there is no common area available for a Comms room or riser to house the nbn passive fibre equipment.

In these instances, the equipment can be installed within a suitable external enclosure on an external building wall in accordance with the requirements in the following sections.

7.3.1 Enclosure purpose

The enclosure should only be used for the following:

- to house the passive fibre equipment (PCD/BUDI/SDT) in extra small and small MDUs where there is no Comms room or riser
- as a suitable lead-in conduit transition point e.g. P50 to P20
- to act as the BEP for **nbn**'s lead-in cable
- to provide additional security for **nbn** passive fibre equipment
- to allow for a more visually appealing cabinet, that can colour match the premises

7.3.2 Enclosure location

The enclosure must be:

- installed on an external wall in a safe and readily accessible location (can also be recessed within a cavity wall)
- set back from trafficable areas and must not block building walkways or encroach exit pathways, parking spaces or driveways
- positioned on the wall at a maximum height of 1800mm from FFL to the top of enclosure and a minimum 400mm from ground level, with clearances as shown in Figure 8 below.

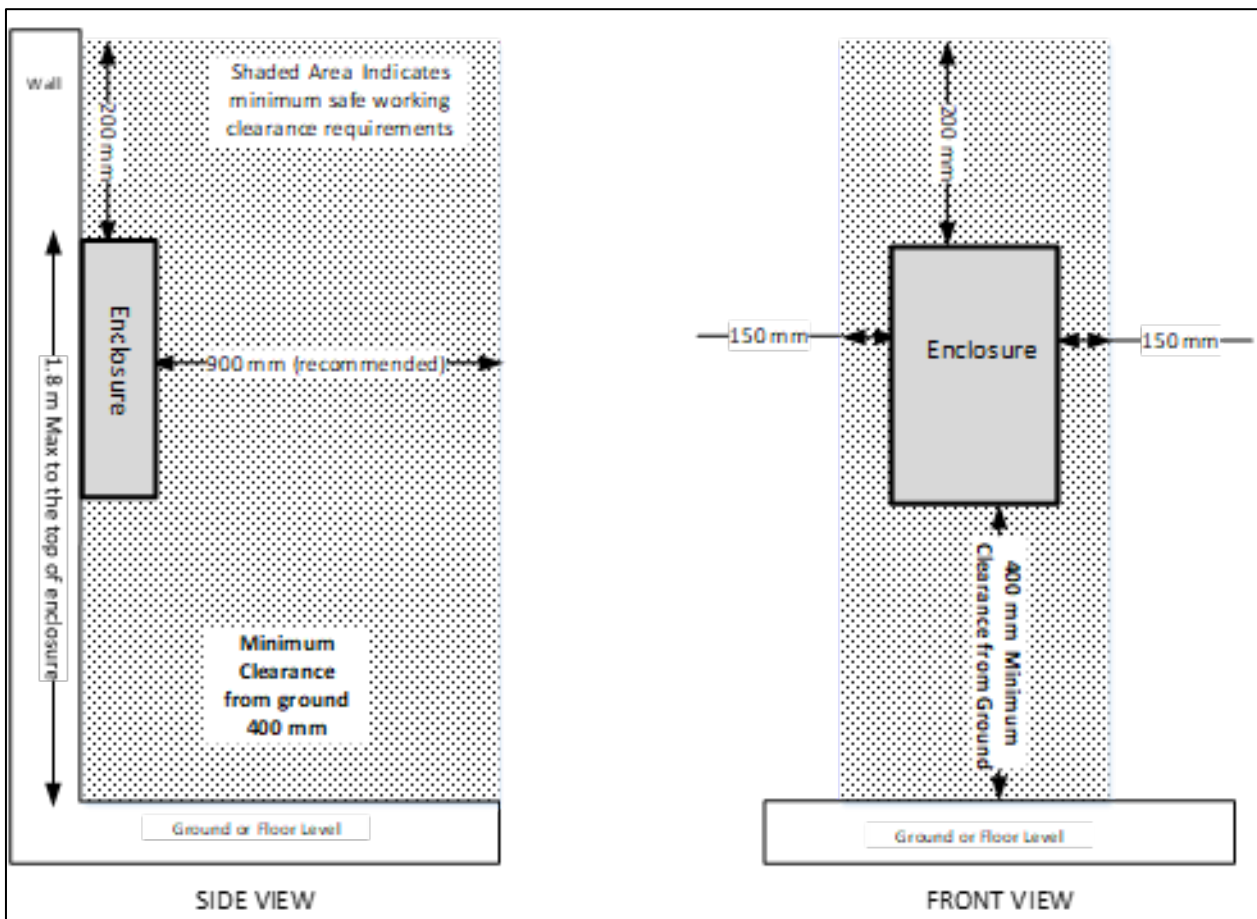


Figure 16. Enclosure clearances



7.3.3 Enclosure dimensions and clearances

Note: Larger or multiple enclosures can be used as required to meet the number of devices to be installed and clearance requirements.

Requirement	Dimension/clearance
Minimum external enclosure size for 1 – 4 Serviceable Locations (SLs)	600mm (h) x 600mm (w) x 300mm (d) to be used for a PCD, and single SDT if required.
Minimum external enclosure size for > 4 SLs	800mm (h) x 800mm (w) x 300mm (d) to be utilised to accommodate a BUDI BFD and maximum of 2 x SDTs.
Minimum internal mounting dimensions	760mm (h) x 760mm (w) x 250mm (d)
Minimum side and top clearance of equipment within the enclosure	50mm from enclosure walls and other equipment.
Clearance from bottom of devices for cable entry	250mm
Minimum degrees that PCD door must open to allow clear access to splice trays	120°

7.3.4 Enclosure conduits

Conduit entry points into the enclosure must:

- be adequately sealed to mitigate against ingress of vermin and weather and to maintain IP55 rating
- be free of sharp edges or burrs or have a grommet of insulating material fitted

Conduits entering the enclosure must be secured to the building, with no more than 30mm of conduit protruding into the enclosure internal space.

Conduits leaving the enclosure must not be installed in shared or dedicated underground trenches.

Conduits can be surfaced mounted - installed unbroken in a cavity via a common area to the Network Termination Device (NTD) location and/or cast in a concrete slab.

7.3.5 Enclosure labelling

The front enclosure door must be identified as **NBN**, with a permanent fixed label.

8 Utility clearances

The following sections detail the clearances that must be maintained for the safety and practicality of installing **nbn**[™] passive fibre equipment within EUPs in relation to other utility services.

Clearance from other utilities such as fixed services, including pipes and taps and meters must adhere to the Building Code of Australia and the clearances listed below.



The developer must confirm any additional spatial separation with its local gas distribution authority, relating to commercial gas applications.

8.1 Gas meter clearances

Note: The clearances below are **nbn**'s minimum clearances based on [6] AS/NZS 4645.1 Gas distribution networks, Part 1: Network management.

The clearance for a gas meter is dependent on whether the gas meter is located within an enclosure (enclosed) or outside of an enclosure (unenclosed).

The distances are measured from the surface of the gas meter, gas regulator or any gas fitting, whichever is the outermost.

8.1.1 Enclosed Gas Meter

A minimum clearance of 500mm is required from an approved gas meter enclosure.

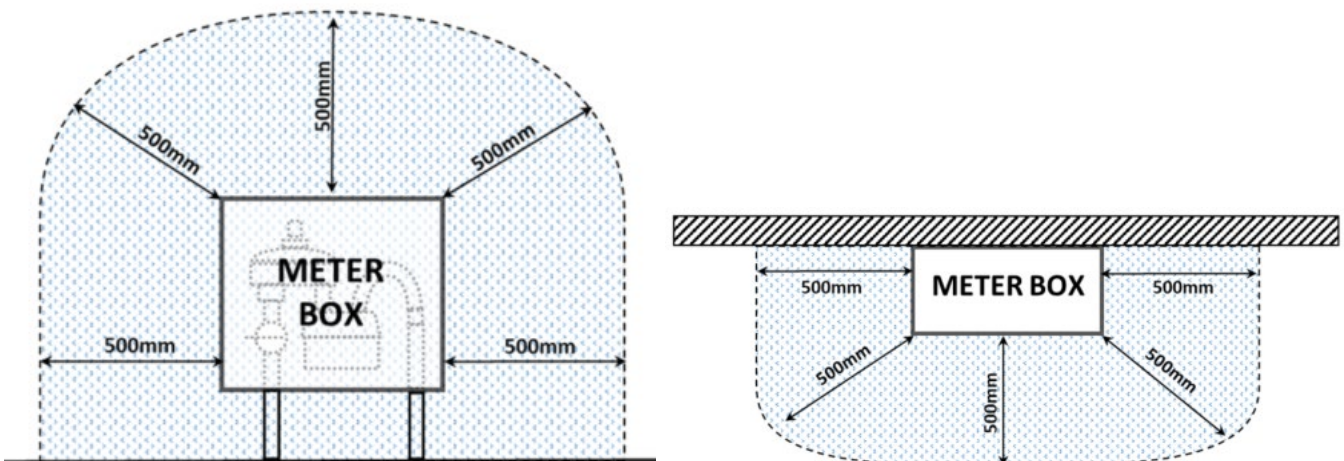


Figure 17. Gas meter clearances - enclosed

8.1.2 Unenclosed Gas Meter

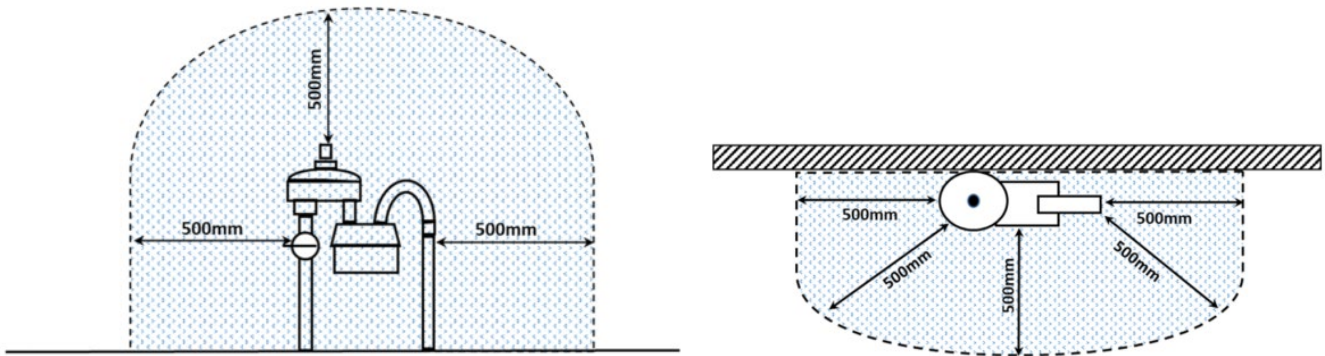


Figure 18. Gas meter clearances - unenclosed

8.2 Gas cylinder clearances

There are two types of gas cylinders: in-situ and exchangeable.

8.2.1 In-situ gas cylinders

In-situ gas cylinders are filled onsite and are not physically removed. Although the valve is on top of the cylinder, it will not have a fixed tap on top on it. The **On** and **Off** tap will be on the side. Typically, the valve will have a yellow cap on it, however if not yellow, it will be distinguishable by the fact it can be removed.



Figure 19. In-situ gas cylinder showing removable yellow cap

8.2.2 Exchangeable gas cylinder

Exchangeable gas cylinders are physically removed on empty to fill. The valve on the top of the cylinder will normally have a green tap to turn the gas on and off and cannot be removed. Typically, the tap will be green, however, if not green, it will be distinguishable by the fact it has **OPEN** and **CLOSE** marked on it.



Figure 20. Exchangeable gas cylinder showing green tap with 'OPEN' and 'CLOSE' markings

The following clearances apply for an in-situ or exchangeable gas cylinder and are **nbn's** minimum clearances based on [3] AS/NZS 1596 The storage and handling of LP Gas.

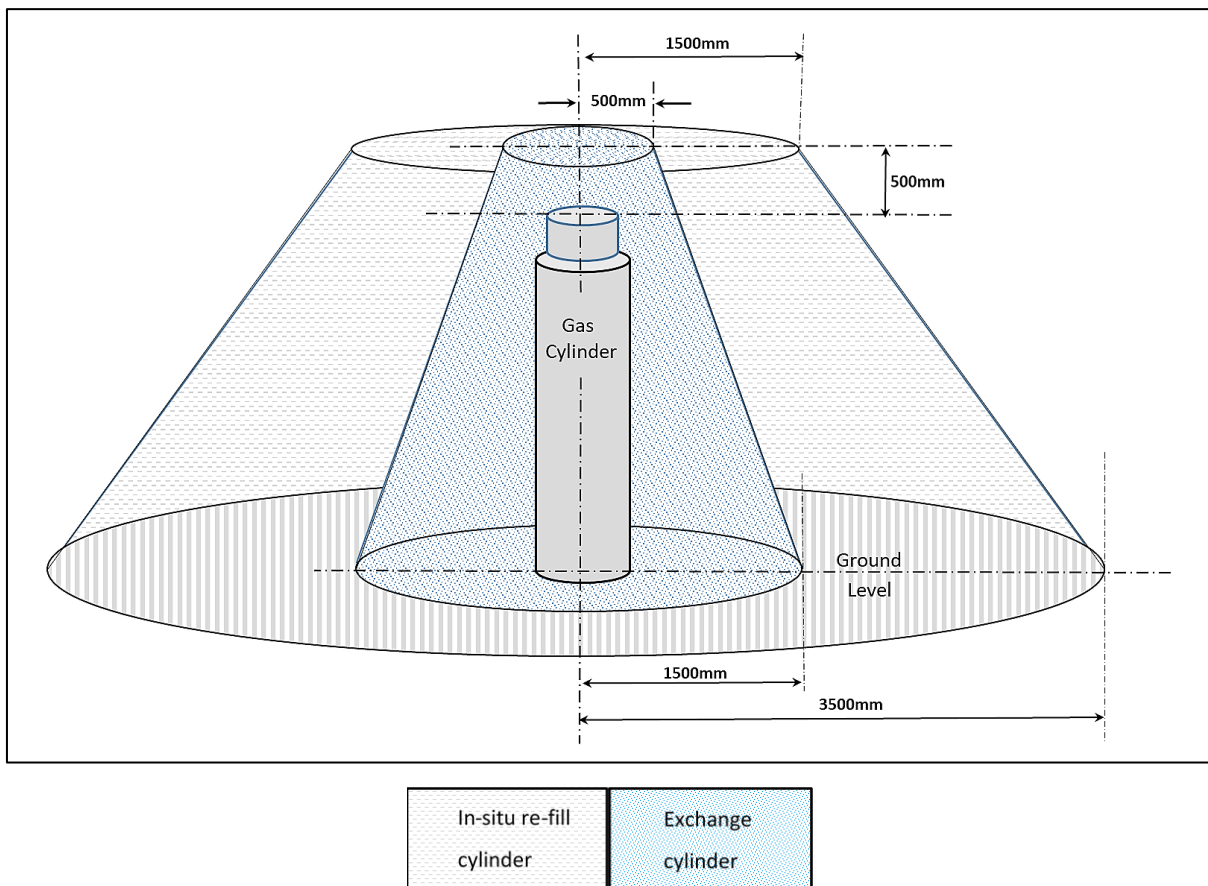


Figure 21. Gas cylinder clearances – 360° view

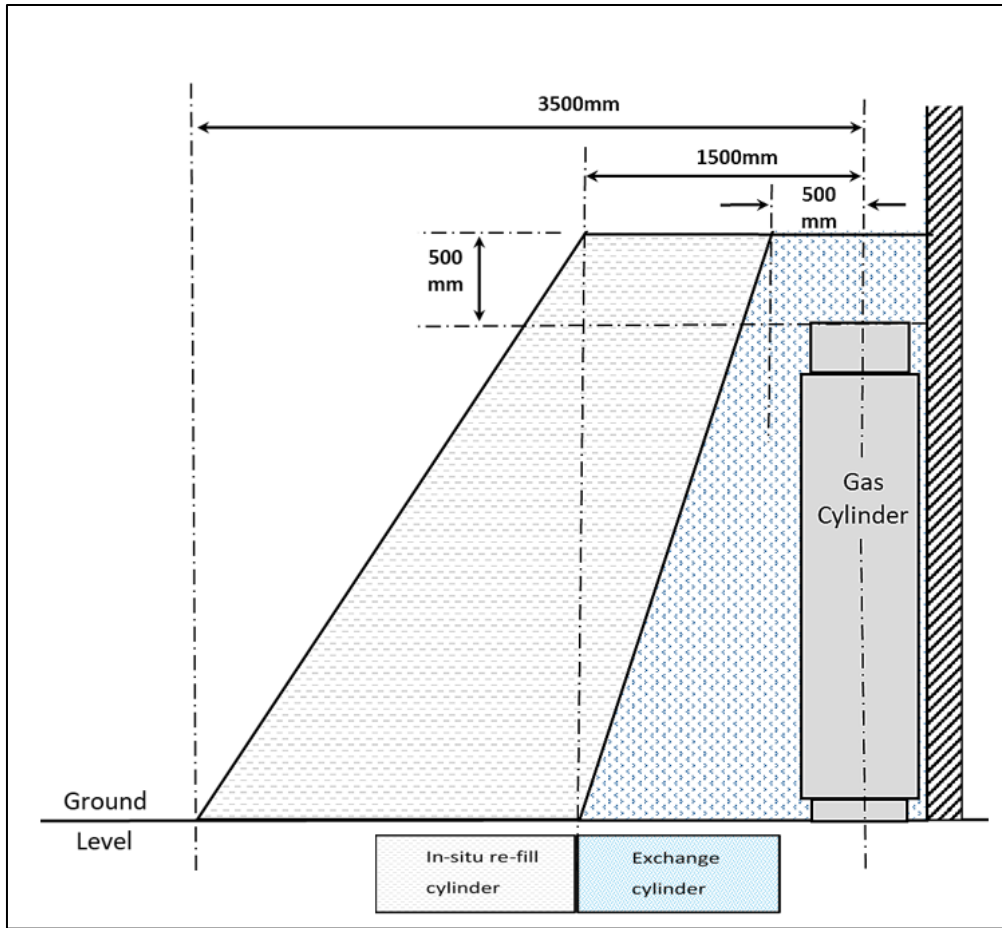


Figure 22. Gas cylinder clearances – side view against a wall

Note: The horizontal distances are measured from the centre line of the gas cylinder.

8.2.2.1 Electricity clearances

The clearance from any power sources including the point where the premises power supply cable connect to the property electrical switchboard is 150mm.

Refer to [4] AS/NZS 3000 Electrical installations (known as the Australian/New Zealand Wiring Rules) for clearances from electrical switch equipment.

8.2.2.2 Water clearances

The clearances from any fixed water services such as pipes, taps and meters must be a minimum of 150mm on all sides.

9 Network Termination Device (NTD) requirements

i The NTD is installed by **nbn** or its Delivery Partners. Please use the information below to ensure the appropriate space/location is made available for this installation.

The **nbn** Network Termination Device (NTD) provides a Fibre Connection from the **nbn**TM network to each EUP and SL. This is generally supplied using Gigabit Passive Optical Network (GPON) and through the Indoor NTD (model G-240G-P), however **nbn** may vary this as the **nbn**TM network and available technology evolves.

The G-240G-P NTD is shown in Figure 23. **nbn**TM NTD, and is installed for each EUP space must be provided to accommodate the installation and ongoing maintenance of the NTD as is detailed in section 9.4 NTD layouts.



Figure 23. **nbn**TM NTD

9.1 Specifications for indoor NTD (G-240G-P) and PSU

Specifications for NTD:

- Operating Temperature (ambient) 0C minimum +40C maximum
- Rated power consumption 5W to 8W
- Dimensions 124mm (H) x 180mm (W) x 36mm (D) [including depth of rubber feet
- Weight 400g

The NTD is supported by a 2A, AC PSU (standard power supply) with the following specifications:

- Emerson 24 W AC/DC switching power adapter AD2412N3L (PSU - Indoor NTD Standard Power Supply)
- Rated power consumption 24 W maximum
- Rated voltage at output power terminals towards the NTD is 12 V DC
- Dimensions of PSU unit 33mm (H) x 48mm (W) x 105mm (D)



Figure 24. nbn™ NTD PSU and Connector

Note: The power supply (PSU) must be connected to an earthed mains supply.

9.2 NTD enclosure

The **nbn** NTD and PSU are managed within a mounting bracket and enclosure.

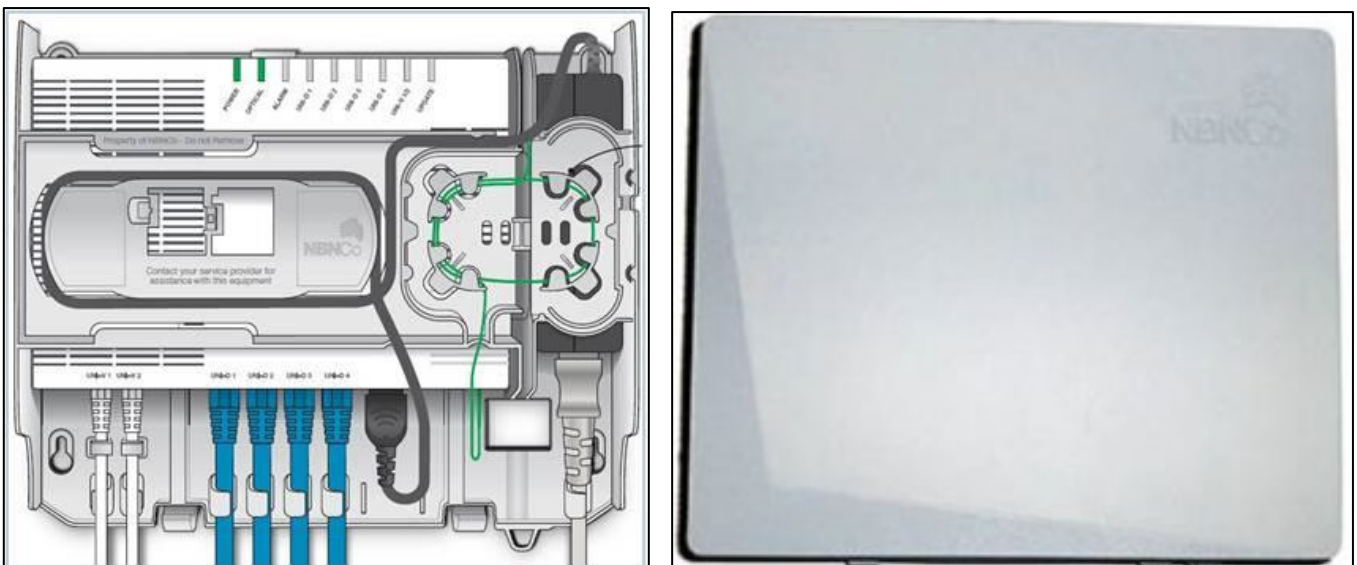


Figure 25. nbn™ Ethernet NTD Wall Mount bracket and NTD enclosure

The enclosure provides management of the NTD, PSU and cabling and protects the NTD and fibre cabling from damage.

The NTD enclosure has a thermal capacity of 10.5W, based on the accommodation of 8W for the NTD and 2.5W evenly distributed for the PSU.



9.3 NTD installation locations

The NTD and PSU must be installed

- a. In a building where people normally live, work or meet, but not in a place that is open to public access.
- b. In the same building as each other.

Note: The end user cabling remains wholly within the same building containing the NTD and PSU.

The NTD and PSU must not be installed:

- a. Externally
 - b. In an enclosure situated on or embedded into the external surface of an external wall of the building.
 - c. In a situation where they might be reasonably expected to experience damp, moist or excessively humid conditions.
 - d. Within a roof cavity.
 - e. Below a floor outside the normal living, working or occupancy areas of the building.
 - f. In a cupboard, enclosure, home distributor or in a confined space where:
 - i. It might reasonably be expected that linen, clothing or towels might be stored in direct contact with the NTD or PSU.
 - ii. It might be reasonably presumed that items could be stored that restrict free airflow around the NTD or PSU.
 - iii. gases may be trapped due to limited or no ventilation, or because the design or situation of the enclosure or home distributor is such that there is potential for ventilation to be inhibited.
 - g. In a location where the ambient temperature in the immediate vicinity of the NTD or PSU might routinely exceed +40°C or fall below 0°C.
 - h. On a surface where the temperature might routinely exceed +40°C or fall below 0°C.
 - i. In a location where the power or end user cabling might:
 - i. Be a tripping or strangulation hazard.
 - ii. Be accidentally wrenched or damaged by tripping, passers-by or another inadvertent disturbance.
 - j. Onto an accessible conductive/metallic surface encompassing a general power outlet (GPO), unless all accessible conductive surfaces and parts have been protectively earthed in accordance with [4] AS/NZS 3000 Electrical installations (known as the Australian/New Zealand Wiring Rules).
- Note:** The PSU AC power cord must not be routed through an opening in a metallic surface, unless the metallic edges of that opening are appropriately protected by a grommet or similar device.
- k. In a location where they are at risk of being damaged.

9.3.1 Height

nbn is committed to providing accessible products and services for people and customers with disability and access needs. **nbn** has a responsibility to ensure that its workplace environment, activities, and the network it builds are created accessibly and inclusively for employees, customers, communities and Delivery Partners.

When allocating space for each **nbn NTD** please consider:

1. **Location** - where it is not difficult to access.
2. **Height** - ensuring it's within arm's reach.
3. **Relocatable** - should the customer make a request.

NTDs and NTD enclosures must be installed in an accessible location, allowing both the end user and technicians clear access for removal and replacement of the NTD from the enclosure. This should ensure it is feasible for those parties to install a router/gateway and connect customer cabling to the NTD (e.g. ethernet cables into the UNI-D port).

The location must be within arm's reach of an average person, with arm's reach defined as a zone extending from any point on a surface where persons usually stand or move about, to the limits that a person can reach with the hand in any direction without assistance (e.g. tools or ladder) and as shown in Figure 26. Arm's reach.

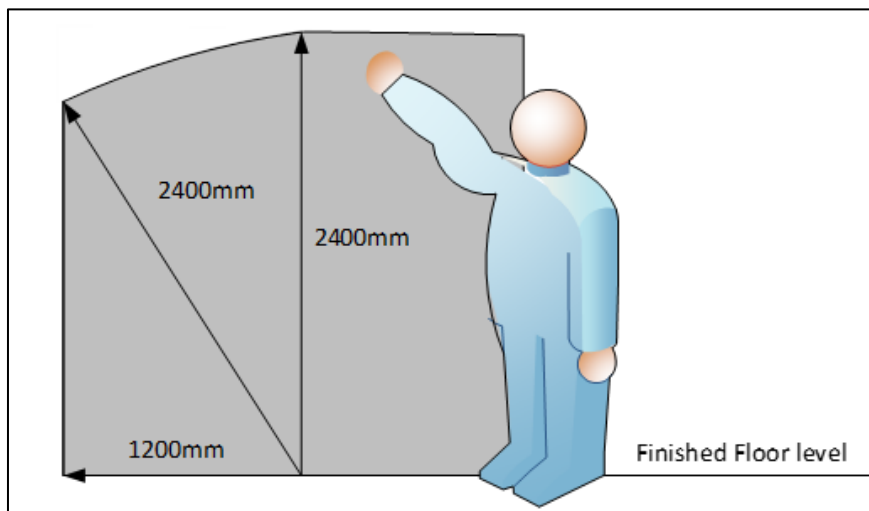


Figure 26. Arm's reach

The grey area shows the zone into which an average person can reach an arm from the surface shown, if there are no permanent obstructions such as walls or balustrading. The zone reduces if a permanent obstruction prevents access. If an obstruction has an opening in it, the access through the opening is to be taken into account when assessing mounting locations.

- The NTD must be located a minimum of 300mm from FFL to the base of the NTD/NTD enclosure and up to a maximum height of 2.4m to the top of the NTD, with **nbn's** preferred height below 1.8m.
- Consideration should be given to end user's known and unknown accessibility requirements with optimal installation for access being between 300mm and 900m from FFL.



9.3.2 Mounting locations

Builders and building owners must make one of the following three mounting locations available, within the defined height range requirements, for the installation of **nbn**TM equipment.

Mounting location must be in an accessible location, allowing both the end user and technicians clear access for removal and replacement of the NTD from the enclosure, with recommend access clearance of 900mm from the front of the NTD enclosure.

Table 2. Mounting locations

Location	Description
1. Open wall area	An area on an open wall with either no obstructions or only partial obstructions. Note: Open wall areas use the bulk space of the room for air circulation.
2. Open enclosure	A partially enclosed area that contains no internal obstructions. Note: Open enclosures use the bulk space of the enclosure and the absence of obstructions for air circulation.
3. Confined area	A cabinet or cupboard (including a home distributor or utilities enclosure) dedicated to communications equipment. Note: Confined areas require ventilation to be added to the design to improve the air circulation.

Note: **nbn** requires contractors to adhere to construction and ventilation requirements when installing equipment in mounting locations.

9.3.3 Centrally located NTDs

End user NTDs can only be centrally located within large commercial developments, within a Comms room or riser, if it is possible to individually secure each NTD within a separate enclosure accessible only to the individual end user.

The enclosure must be sized to allow the standard indoor layouts as detailed in section 9.4 NTD layouts, and meet the ventilation requirements required in section 9.5 Ventilation requirements.



Figure 27. Centrally located NTDs for commercial developments

9.3.4 Confined area

An internal NTD can be placed within a dedicated built out shelf within an EUP.

Ventilation is required to allow heat dissipation, as per section 9.5 Ventilation requirements.

Height of confined areas should be considered for optimal Installation height as per Section 9.3.1 Height



Figure 28. Typical built out shelf

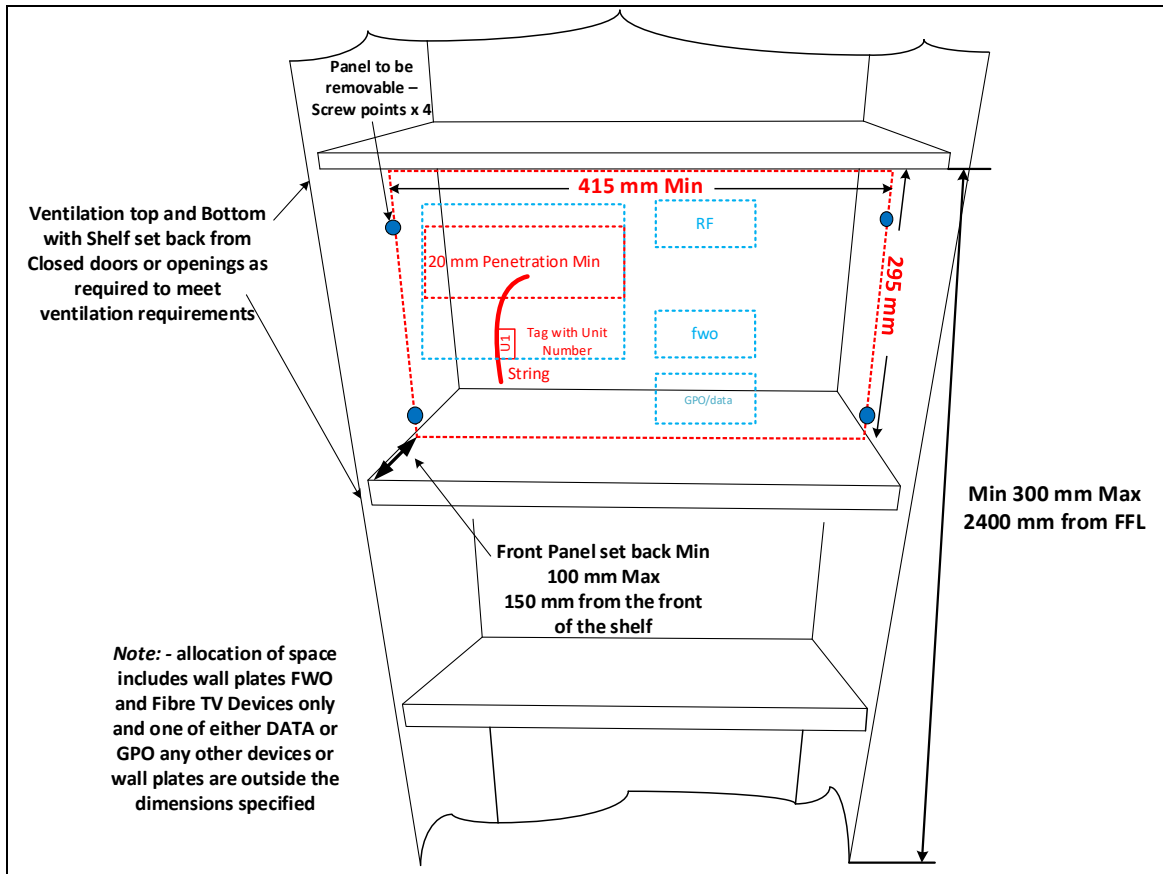


Figure 29. Built out shelf - landscape

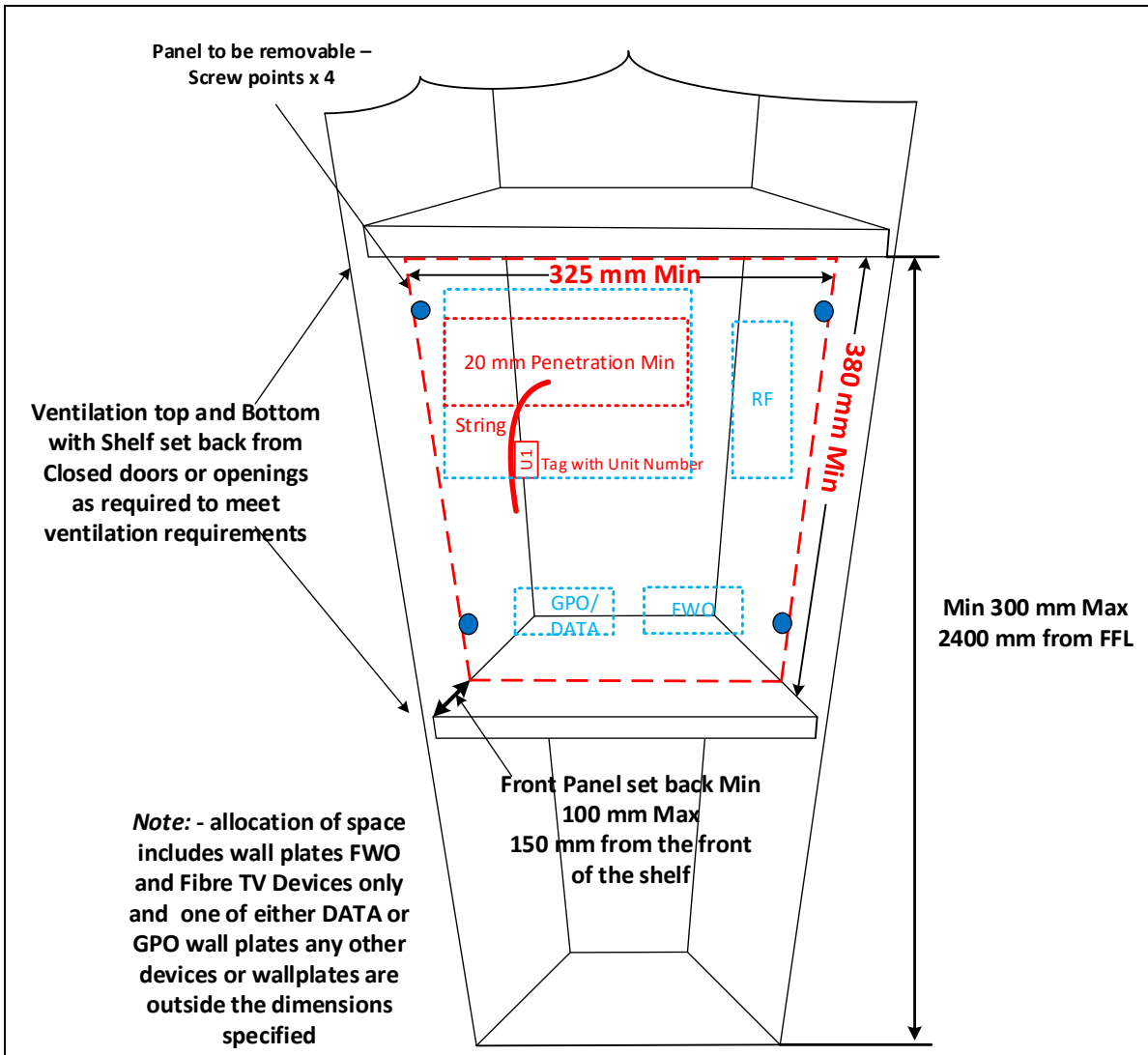


Figure 30. Built out shelf - portrait

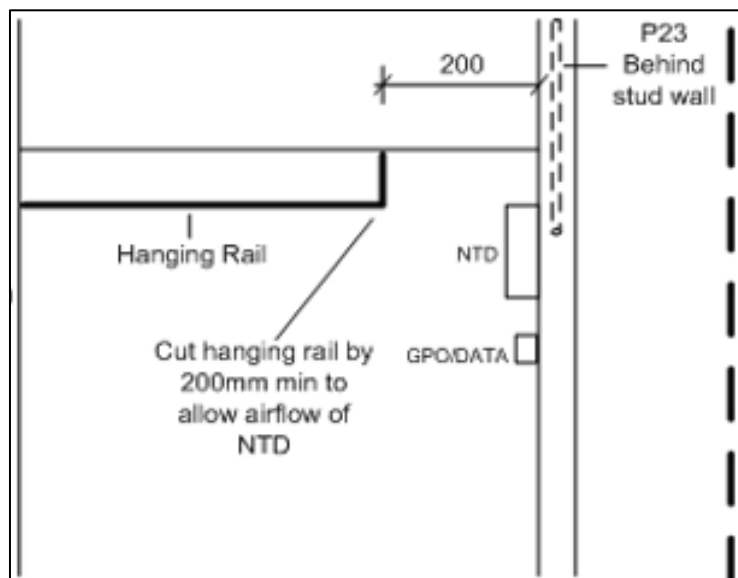


Figure 31. NTD typical side within open enclosure/robe

9.4 NTD layouts

There are two layouts that detail the minimum clearances required for **nbn** NTDs. Either landscape or portrait layouts can be applied.

In both layout options the NTD and enclosure must be mounted with the NTD LED Indicators at the top as shown in Figure 32.

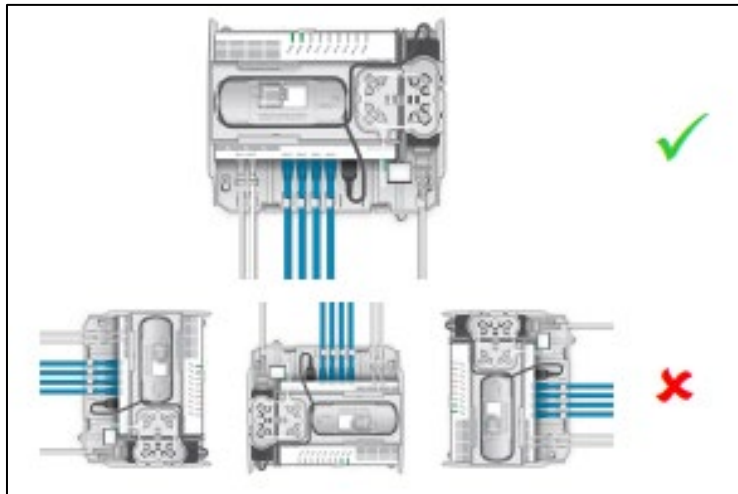


Figure 32. NTD and enclosure orientation

Mounting surface templates are show below with all dimensions in mm.

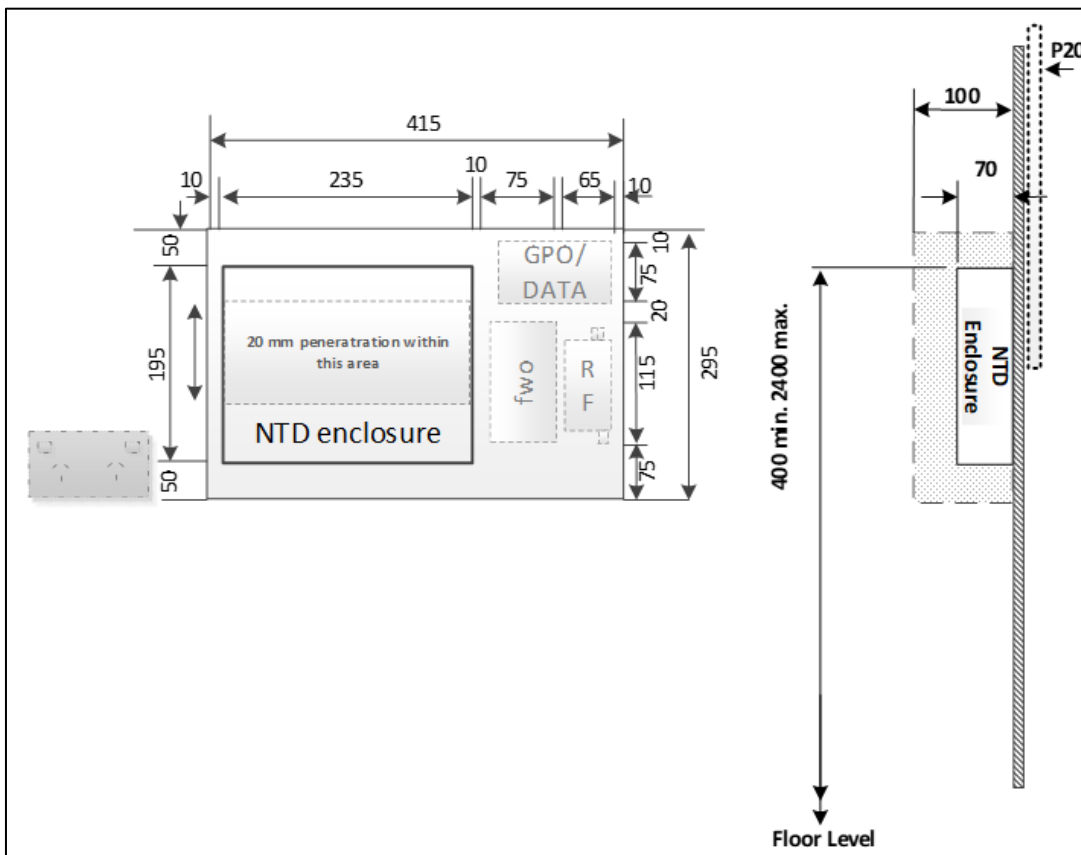


Figure 33. NTD enclosure layout landscape orientation

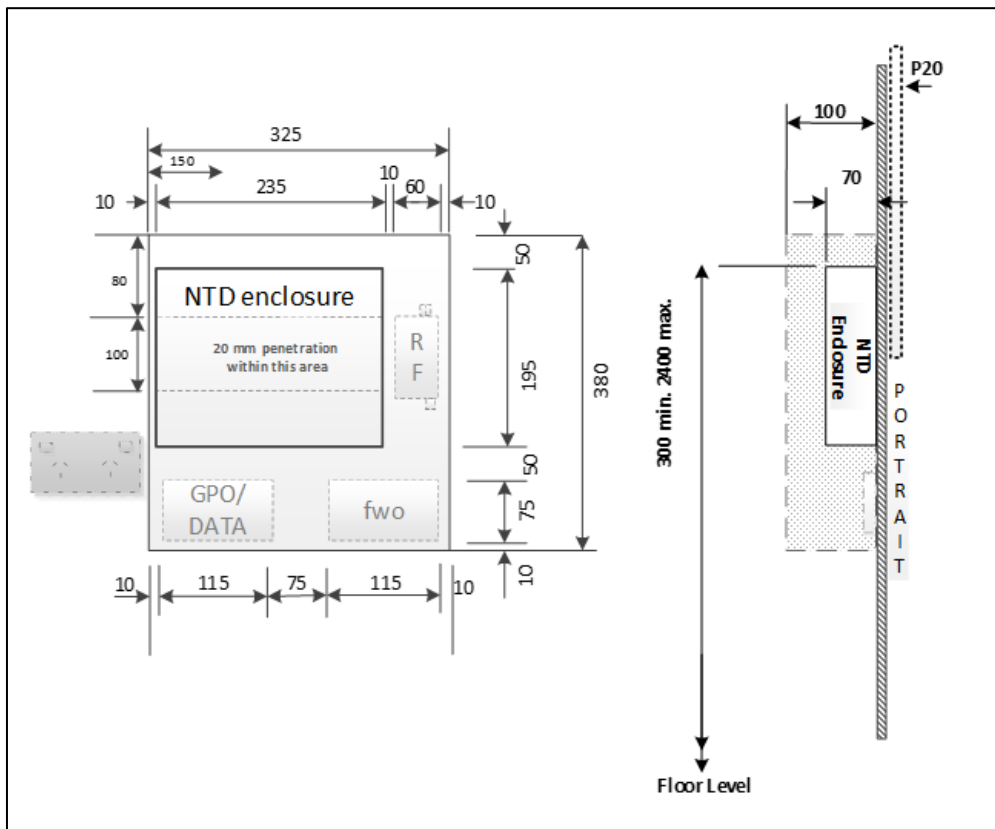


Figure 34. NTD enclosure layout portrait orientation

Both layouts have a volume of 21 Litres. The sizes shown are the minimum footprints that can accommodate an **nbn** NTD. Larger areas can be utilised.

The Fibre wall outlet (FWO) footprint within the indoor NTD enclosures layouts, has been allocated to allow for future build changes by **nbn**.

The position of the GPO within these diagrams is for illustrative purposes only. The GPO may be positioned anywhere adjacent to the perimeter of the mounting surface template and as close as practical to it, in accordance with wiring standards. The electrician should avoid mixing power cabling with data, telephone, radio frequency (RF) and fibre in the same vertical corridor.

A General Power Outlet (GPO) is required to power each NTD installation.

Space has been allocated within the dimensions of the mounting surfaces for one of either a GPO or data face plate.

If a data face plate is installed, then the GPO can be outside the footprint adjacent as shown in each of the above examples.

The GPO must be located within 200mm of the **nbn**™ equipment template.



The provision of a double GPO is recommended, so that one socket is available for customer devices (such as an internet router). Locating the new GPO as close as possible to the equipment location minimises safety issues with excess cord and improves the look of the installation.

All power provisioned for **nbn** equipment must meet the requirements within [4] AS/NZS 3000 Electrical installations (known as the Australian/New Zealand Wiring Rules).



9.5 Ventilation requirements

The **nbn** NTD, PSU and other end user devices (e.g. residential gateway) consume energy, which is dissipated as heat. When installed into a closed enclosure or space, the combined energy dissipated by devices accumulates and causes the ambient temperature of the surrounding air to rise.

If the warm air is trapped and cannot easily escape, the operating temperature of the devices can increase significantly, with long term average operating temperature directly affecting equipment failure rates.

Appropriate ventilation can be physical gaps in joinery, slots or circular openings and sized as per the volume of the enclosure. confined space.

nbn requires that enclosures for **nbn**TM equipment satisfy the following thermal ventilation requirements (**note**: if other end user devices are stored in the same location, new calculations will need to be made).

Table 3. Ventilation requirements

Volume of open enclosure or home distributor	Required ventilation area (for each of the upper and the lower ventilation region)
20 L (minimum volume requirement)	60cm ²
Between 20 L and 60 L	60cm ² , <i>plus</i> an additional 1.5 square centimetres per litre of volume over 20 L
Greater than 60 L	120cm ² , <i>plus</i> an additional 0.1 square centimetres per litre of volume over 60 L

Use the following formula to calculate the volume:

$$volume = \left(\frac{W \times H \times D}{1000} \right)$$

Where:

- *W*, *H* and *D* are the internal width, height and depth of the enclosure (in centimetres)
- *volume* is expressed in litres

The ventilation openings are required to be present in both the top and bottom end faces of the enclosure/ confined space or within 100mm of the top or bottom, if placed within the front face.

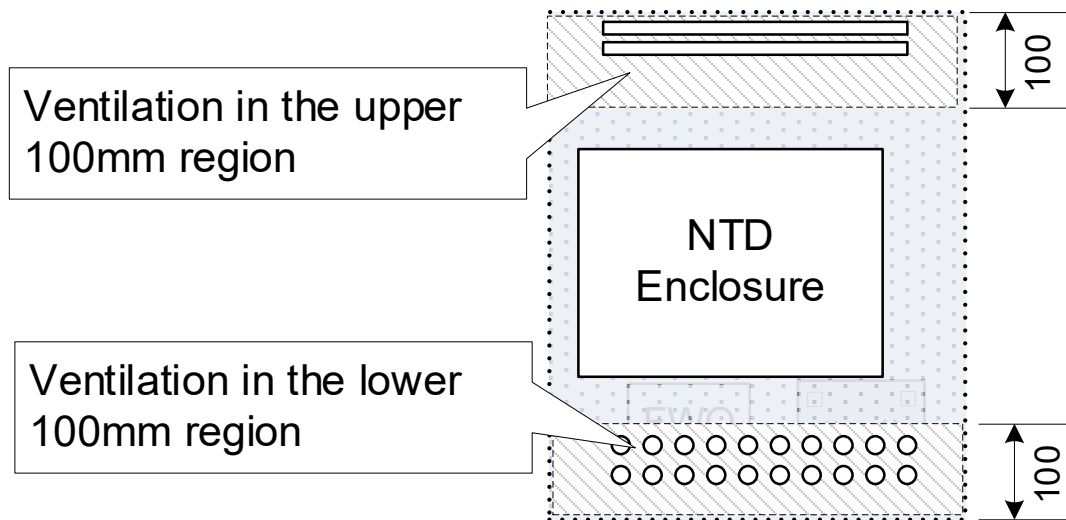


Figure 35. Ventilation upper/lower areas

Table 4. Additional ventilation requirements

Rule	Notes
Doors or covers must not obstruct ventilation	An open enclosure or home distributor design must not rely on a cover or doors being opened to meet the thermal ventilation requirements.
Obstructed ventilation does not count towards thermal ventilation assessment	Examples of obstructed ventilation include (but are not limited to) the following: <ul style="list-style-type: none"> • An open enclosure or home distributor is installed into a cavity. • An open enclosure or home distributor is surrounded by a purpose-designed architrave. • An open enclosure or home distributor is fitted with fixed shelving. • An open enclosure or home distributor has the capability of being fitted with removable shelving.
Ventilation openings must not be used for cable ingress/egress at any time	This ensures that cables can neither obstruct nor reduce the free flow of air into and out of the open enclosure or home distributor and compromise its effective ventilation.



10 Essential services

Please confirm with individual essential services suppliers (e.g. lift communications, fire indicator panels/control rooms) on their specific requirements.



11 Fibre TV

Where an agreement for **nbn** Fibre TV has been entered into with **nbn**, please contact your Content Service Provider for their requirements.



12 Customer Cabling

Customer cabling can be used to provide connectivity to electronic devices or other equipment that is not located in close proximity to the planned **nbn**TM equipment location.

Note: Customer cabling within premises is not within the scope of the **nbn**.

All cabling work performed on the customer side of the NBP is subject to ACMA requirements (refer to [1] AS/CA S009 Installation requirements for customer cabling (Wiring rules)).

Customer cabling allows owners of premises to choose a location of **nbn**TM equipment away from where the services may be used, so as to improve data speeds within the premises, assist with aesthetics and/or cater for greater additional scope (such as a wired home network).

nbn recommends the installation of data cabling from the **nbn**TM equipment location to wall sockets elsewhere in the premises.

In many instances, a routing gateway is needed to make full use of the internet services.

Data cabling:

- can be used for internet (UNI-D)
- Category 5e or better (Category 6)
- uses four (4) pair data cables, with eight (8) positions, eight (8) contact (8P8C) modular sockets and connecting cables
- is 'star-wired' with a cable dedicated to each socket in the premises



Important: While builders and cabling should let customers know about the benefits of pre-wiring at the time of home construction, it is important to note that customer cabling is optional and entirely at the discretion of the developer, builder or premises owner.



13 Glossary

Term	Description
AC	Alternating Current
ACMA	Australian Communications and Media Authority
ATA	Analog Telephone Adapter
BEP	Building Entry Point
BCA	Building Code of Australia
BFD	Building Fibre Device
BUDI	Building Distribution Enclosure
CET	Communications Earth Terminal
CPE	Customer Premises Equipment
CRC	Critical Risk Control
CSD	Compact Sealed DSLAM
CTL	Cable Transition Location
DP	Delivery Partner
EUP	End User Premises
FCD	Fibre Collector Distributor
FDT	Fibre Distribution Terminal
FFL	Finished floor level
FIP	Fire Indicator Panel
FTTB	Fibre to the Basement
FTTN	Fibre to the Node
FOTP	Fibre To The Premises
FTTx	Fibre To The 'x' (building, curb, node, premises)
FWO	Fibre Wall Outlet
GNAF	Geo-coded National Address File
GPO	General Power Outlet
HSE	Health, Safety and Environment



Term	Description
LIC	Lead-In Conduit
LSZH	Low-Smoke Zero-Halogen
MDF	Main Distribution Frame
MDU	Multi Dwelling Unit
MPS	Multi Premises Site
MT-LFN	Multi-Technology - Local Fibre Network
nbn	National Broadband Network
NBP	Network Boundary Point
NTD	Network Termination Device
PCD	Premise Connection Device
PDH	Premise Distribution Hub
PSU	Power Supply Unit
RF	Radio Frequency
SDT	Splitter Distribution Terminal
SDU	Single Dwelling Unit
SDU Like MDU	Multi Dwelling Unit that is serviced like a Single Dwelling Unit (individual LIC to each premises)
SL	Serviceable Location
SWMS	Safe Work Method Statement
TO	Telecommunications Outlet
WHS	Workplace Health & Safety