



nbn Electorate Master Class: Fibre to the Curb (FTTC)

COMMERCIAL-IN-CONFIDENCE

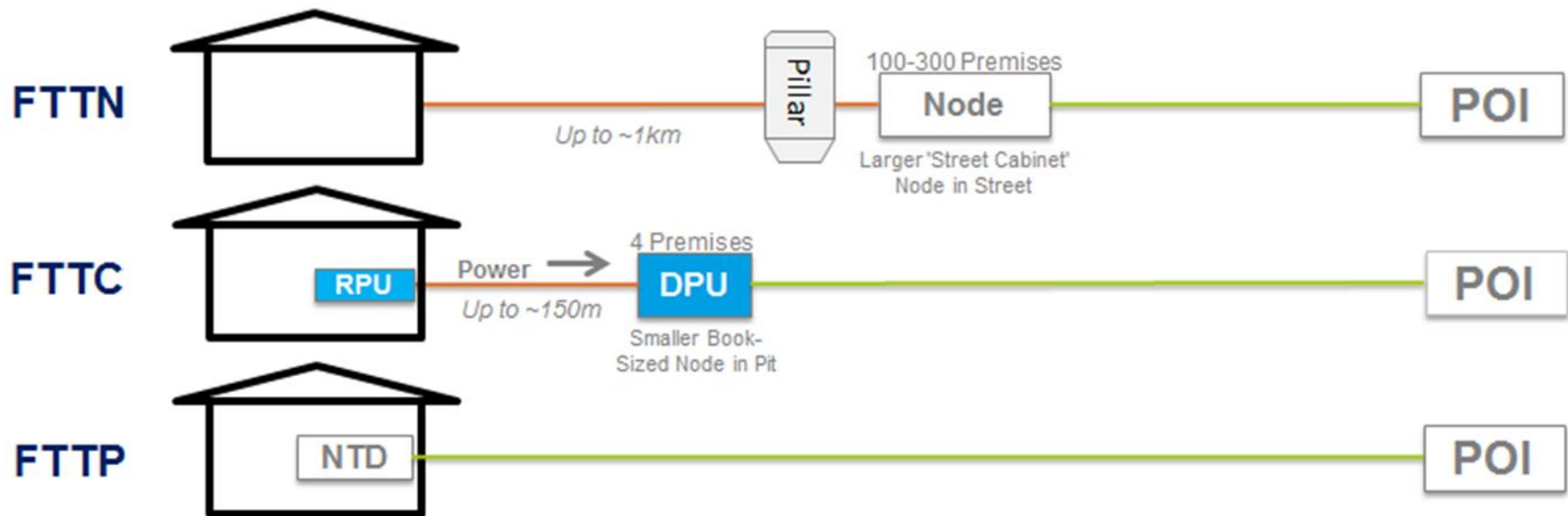
This document is provided for information purposes only. The contents, including any views expressed by nbn are indicative only and subject to change. This document is subject to the information classification set out on each page. If no information classification has been included, this document must be treated as 'nbn-Confidential: Commercial' and must not be disclosed other than with the consent of nbn co. The recipient (including third parties) must make and rely on their own inquiries as to the currency, accuracy and completeness of the information contained herein and must not use this document other than with the consent of nbn co.



Agenda

- Overview of the technology
- Equipment & architecture of the network
- Current rollout of FTTC
- FTTC in a power outage
- Questions

FTTC: An Overview



RPU: Reverse Power Unit

DPU: Distribution Point Unit

NTD: Network Termination Device

POI: Point of Interconnect

Architecture of FTTC

Released under FOI Act - nbn 1718/62

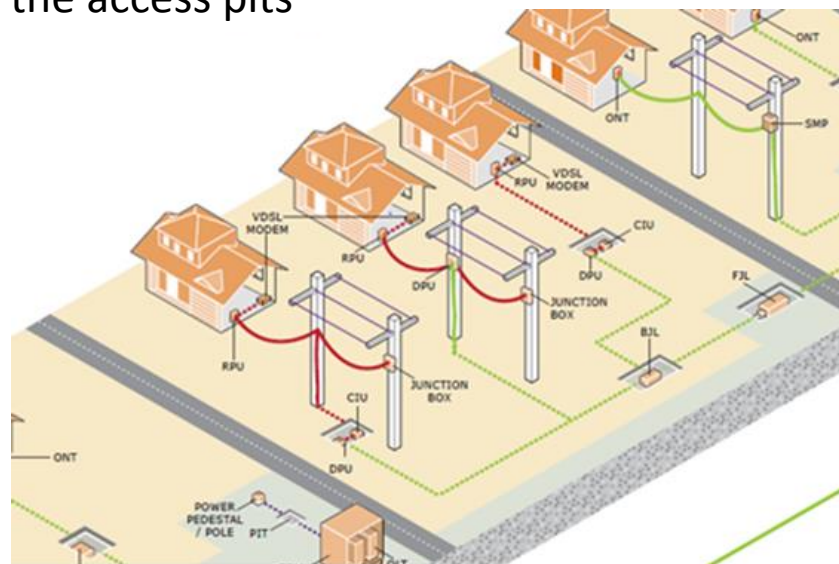


Fibre to the Curb (FTTC) architecture is made up of three key components:

- Optical fibre cable, installed from **nbn's** fibre access nodes to access pits outside the home
- Distribution point unit (DPU), installed in the access pits
- Existing copper lead-in cable from the access pit into the home

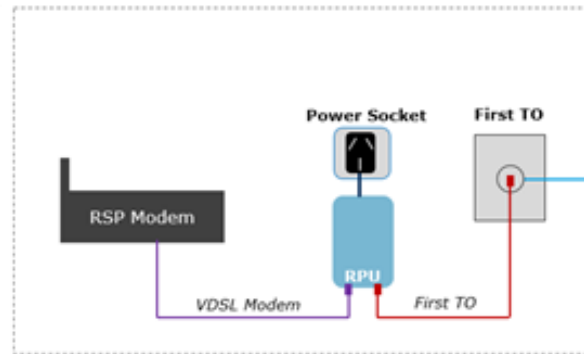
Unique to FTTC

- Reverse Power Unit
- Shared powering
- Exemption from Australian Energy Regulator, State-based exemptions



Equipment used in FTTC

Released under FOI Act - nbn 1718/62



Rollout of FTTC

Released under FOI Act - nbn 1718/62



- **nbn** is planning to deploy FTTC to 1 million premises
- **nbn** is currently investigating scalability
- First services are being deployed in H2 2017, to be switched on Mid-2018

Circumstances under which **nbn** will deliver FTTC:

- Optus-only HFC areas (announced late 2016)
- Areas of low copper performance
- Comparable or lower cost and rollout timeframe to other technologies

List of current rollout areas:

<http://www.nbnco.com.au/corporate-information/media-centre/media-releases/nbn-rolls-out-new-world-leading-broadband-technology.html>



Technology allocation across Australia

nbn uses a set of business rules when determining the technology for an area to meet two key objectives:

- delivering a minimum wholesale 25/5mbps
- using a mix of technologies best matched to each area
- building the network by 2020

Considerations:

- Density of premises
- Proximity to **nbn** infrastructure – backhaul, transit and exchange availability, etc.
- Optimising the technology mix nationwide to make best use of funding and available infrastructure



The nbn™ FTTC network in a power outage

- Unlike the old network, the fibre based FTTC network is unlikely to work in the event of a power outage
- Fibre networks require power both at the exchange and in the home to work
- This means all devices connected to the **nbn™** network are unlikely to work in a blackout
- If there is no power to the core **nbn** components in the street or our exchanges, there is nothing you can do to restore your connection
- All **nbn™** network core components have battery backup in them – however these have a finite life span
- **nbn** will work to restore the core network as quickly as possible

Preparation is the key

- Talk to your phone or internet provider about your options in a black out
- If you or someone you care for has a medical alarm, speak to your alarm provider today about your options

Released under FOI Act - nbn 1718/62



Questions?